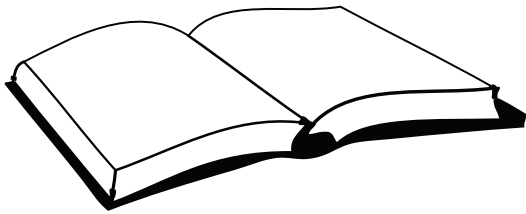


VOCABULARY CARDS

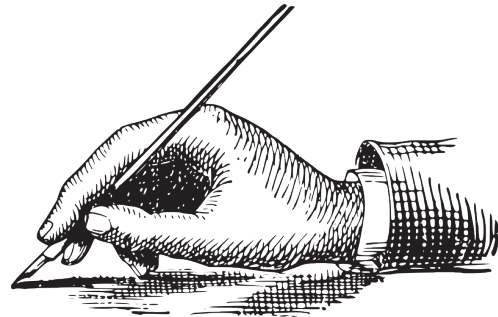
EL SUPPORT LESSON: WHAT'S IN A BOOK?

book



Sheets of paper, blank or with writing or pictures, that are put together between two covers.

author



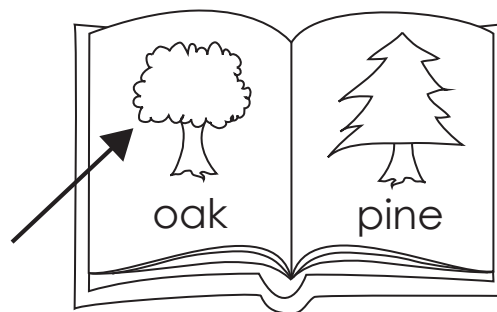
A person who writes books, stories, plays, or other works.

illustrator



An artist who makes illustrations for books or other written works.

picture



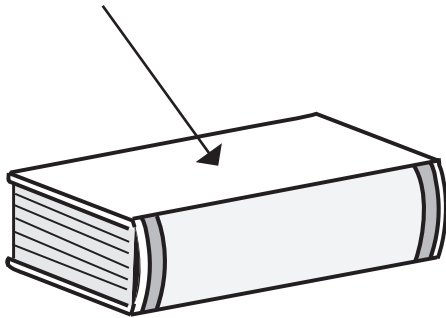
A painting, drawing, or photograph.



VOCABULARY CARDS

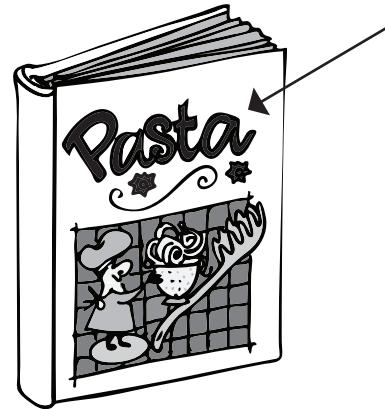
EL SUPPORT LESSON: WHAT'S IN A BOOK?

cover



Something that you put
on something to
protect it.

title



A name of something
such as a book, movie,
or piece of music.

