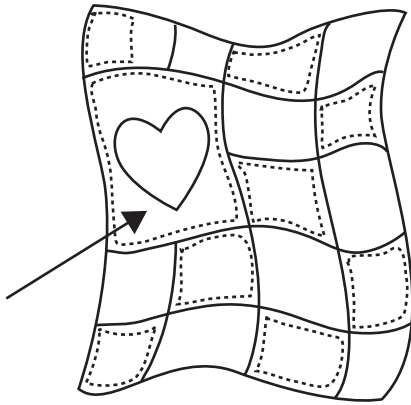


VOCABULARY CARDS

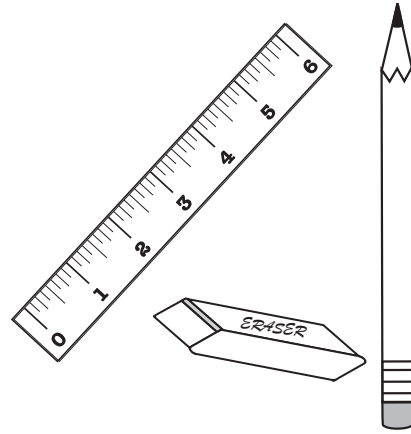
EL SUPPORT LESSON PLAN: A SCRIPT WITH ADVERBS

section



a part that is different or apart from the whole

supplies



materials that you keep available and use whenever you need them

adverb

a word that describes how, when, or where we do things

concern

worried or nervous about something



VOCABULARY CARDS

EL SUPPORT LESSON PLAN: A SCRIPT WITH ADVERBS

playwright

the author of a script

plot

tells what is happening
in the text

scripts

the written text of a play

stage directions

instructions that tell the
actors what to do
throughout the play



VOCABULARY CARDS

EL SUPPORT LESSON PLAN: A SCRIPT WITH ADVERBS

treat

something that doesn't
usually happen and makes
you happy

