

Surface Area Word Problems

Answer each question.

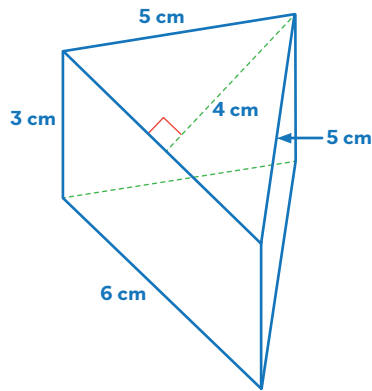
- 1 Vanessa is making a gift for her grandmother. She has a plastic cube with 4-inch side lengths, and she plans to cover each side of the cube with a photo. What is the total area that Vanessa will need to cover with photos if she doesn't want any gaps?
- 2 Mila built a wooden toy bin with a lid to sell in her store. The bin is shaped like a rectangular prism and measures 2 feet long, 1 foot wide, and 2 feet deep. To make the wood darker, she stained the outside of the toy bin, including the top of the lid and the bottom of the bin. What is the area that Mila stained?
- 3 Emmanuel is creating his own board game. He has a pair of cube-shaped, yellow dice that have 1.6-centimeter side lengths. He wants to paint one of the dice blue for his board game. What is the area that Emmanuel will paint?
- 4 Terrell is creating props for his school's production of *The Wizard of Oz*. He covers tissue boxes with construction paper to make them look like bricks. Each tissue box measures 11 inches long, 6 inches wide, and 5 inches tall. How much construction paper does Terrell need to cover one tissue box without any gaps or overlaps?



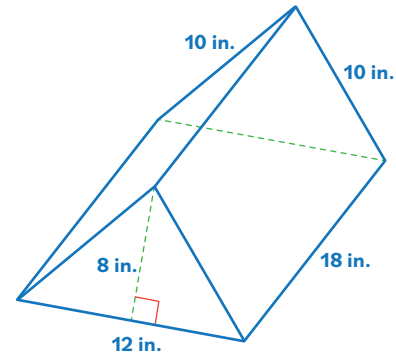
Surface Area Word Problems

Answer each question.

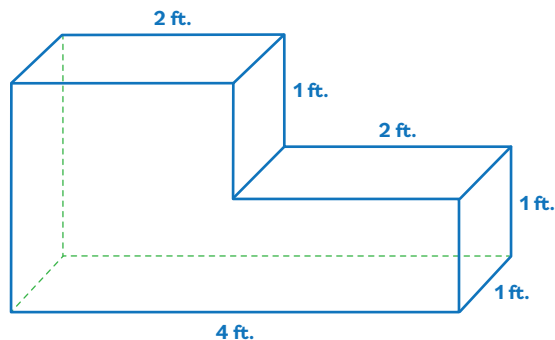
- 5** Corbin has a paperweight on his desk that is painted gold on all sides except for the bottom. The shape of the paperweight is shown below. What is the area of the paperweight that is covered in paint?



- 6** Mrs. Santos made a piñata for her son's birthday party. She used cardboard to make the shape of the piñata, which is shown below. She covered the cardboard in tissue paper and added streamers to the bottom. What is the area of cardboard that Mrs. Santos covered in tissue paper?



- 7** Rohit built steps so that his puppy can climb up onto his couch. Rohit wants to cover the entire outside of the steps, including the bottom surface, with fabric. How much fabric will Rohit need if he doesn't want any gaps or overlaps?



- 8** Emilia made the gingerbread house below for a baking competition. Now, she plans to spread icing on the roof and all four sides of the house. What is the area that Emilia will cover in icing?

