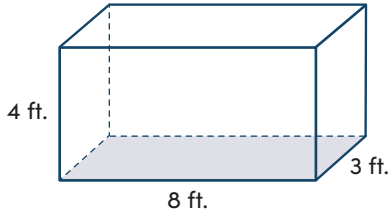


Surface Area Practice: Prisms and Pyramids

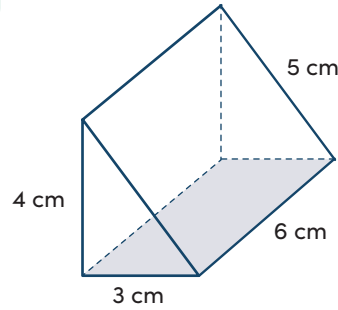
Find the surface area of each figure.

1.



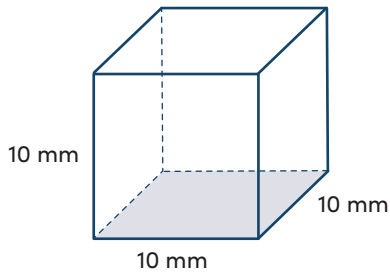
surface area

2.



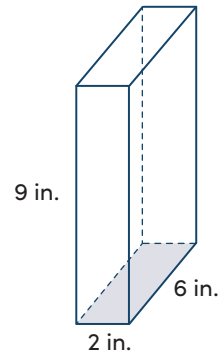
surface area

3.



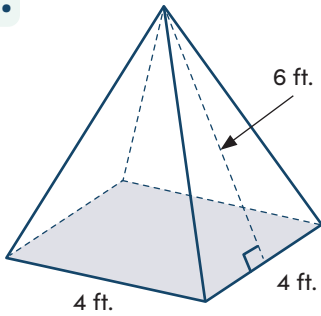
surface area

4.



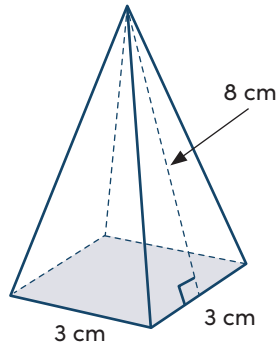
surface area

5.



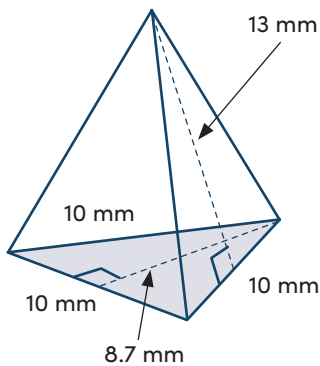
surface area

6.



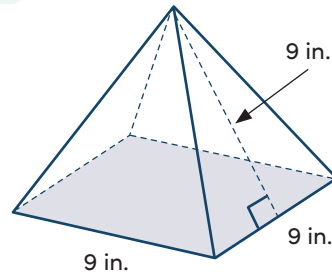
surface area

7.



surface area

8.

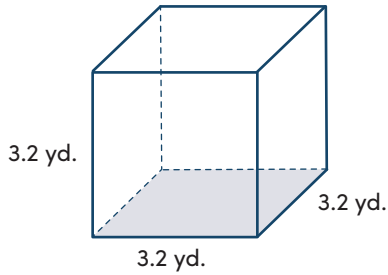


surface area

Surface Area Practice: Prisms and Pyramids

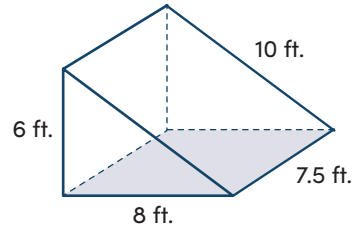
Keep going! Find the surface area of each figure.

9.



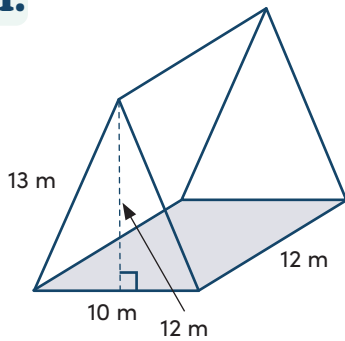
surface area

10.



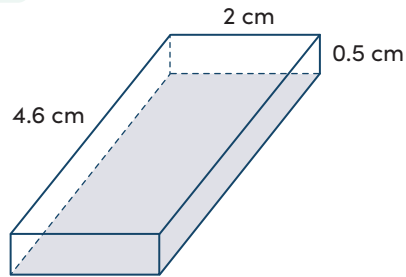
surface area

11.



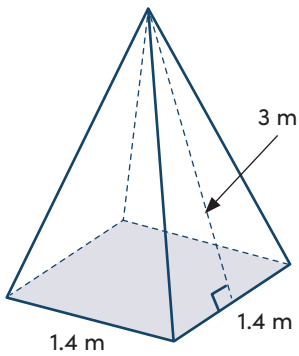
surface area

12.



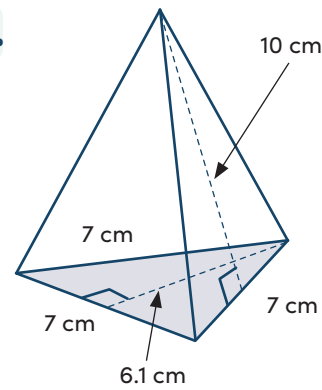
surface area

13.



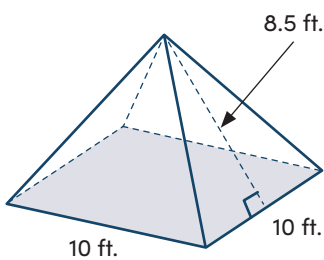
surface area

14.



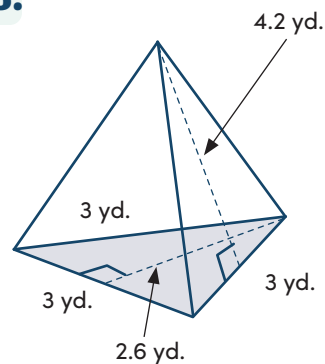
surface area

15.



surface area

16.



surface area