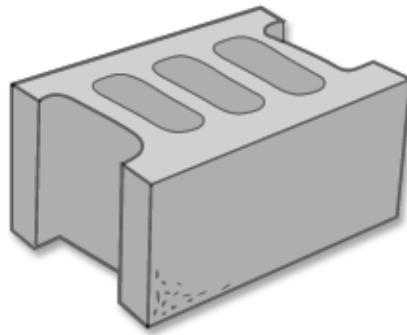


Buoyancy

Circle the objects that would be buoyant in the water.



Empty Bottle



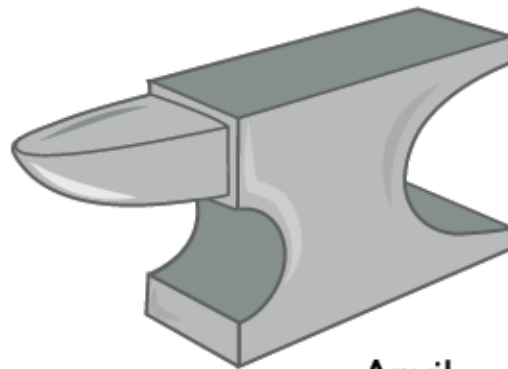
Construction Block



Cork



Pumpkin



Anvil

Buoyancy is the ability to float in liquid. A beach ball is very buoyant, where a marble is not buoyant at all. It's because the ball of air is less dense than the water.