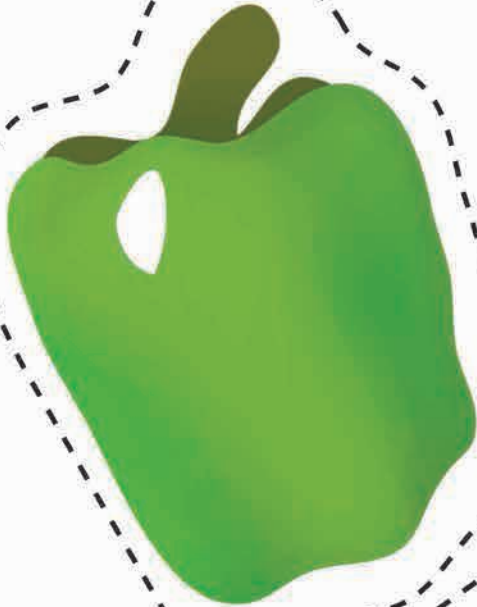


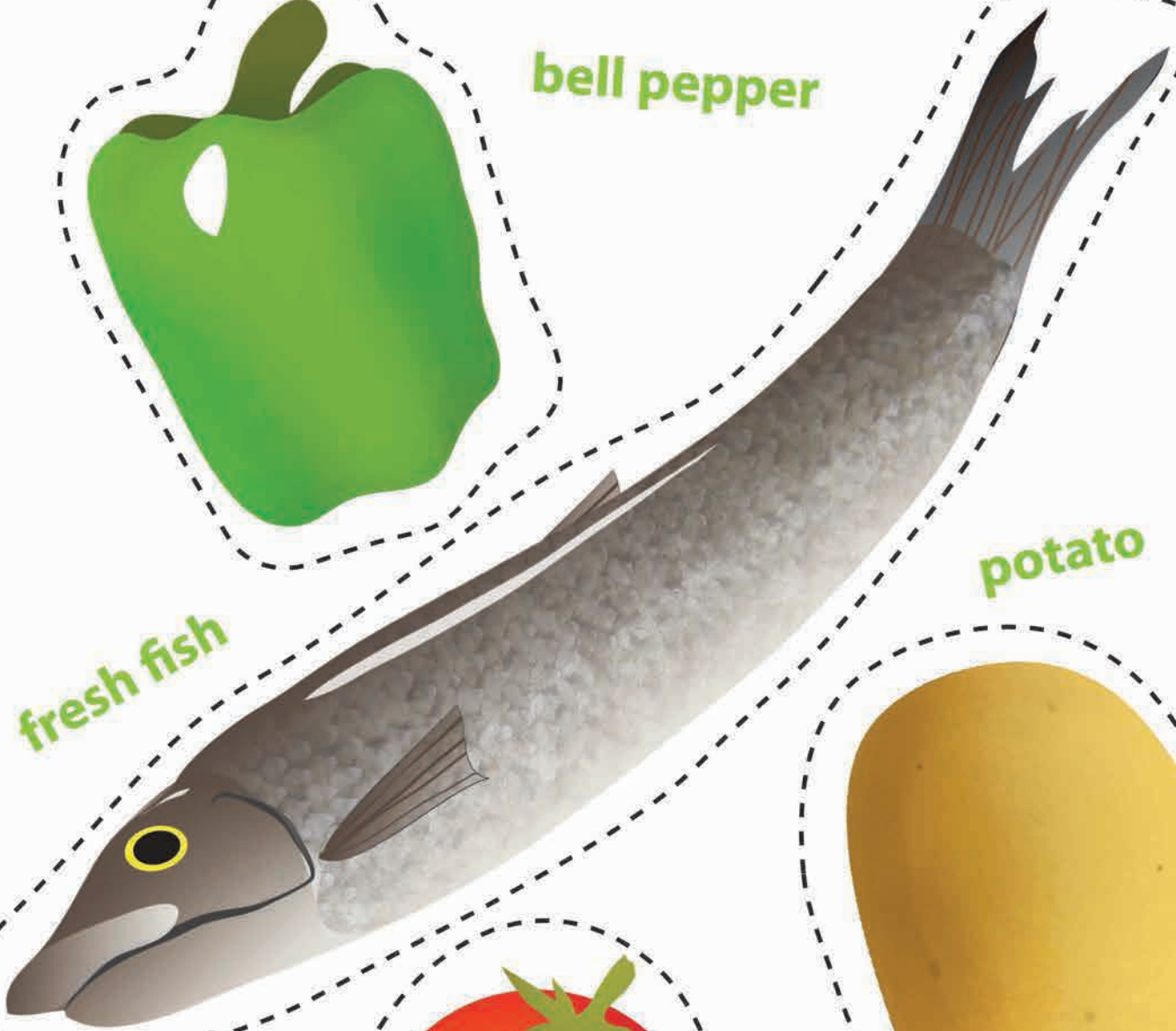
Cut and Play Farmers Market

Directions: Cut out the play foods and use them to make your own farmers market! What's your favorite item to buy?

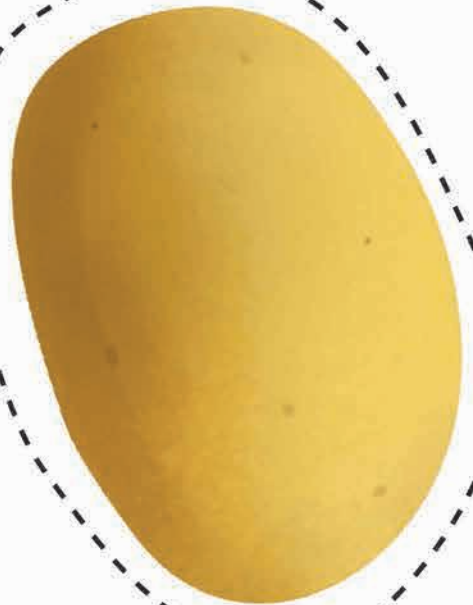


bell pepper

fresh fish



potato

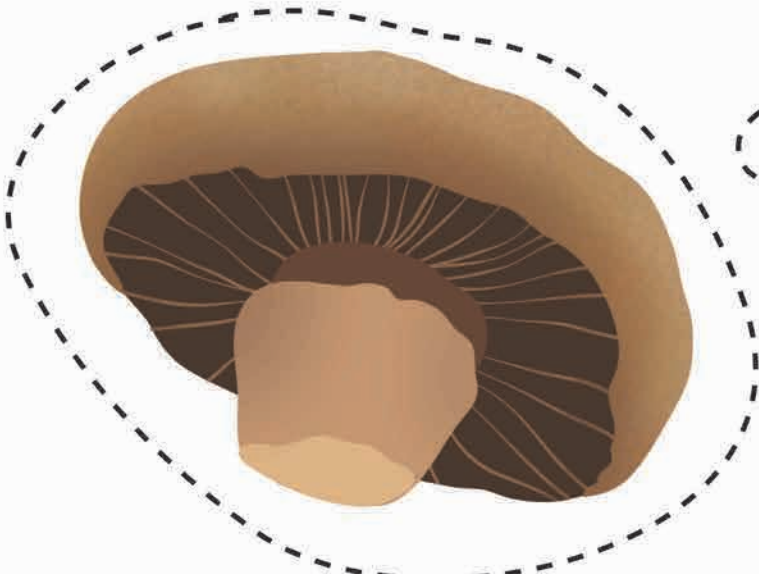


tomato

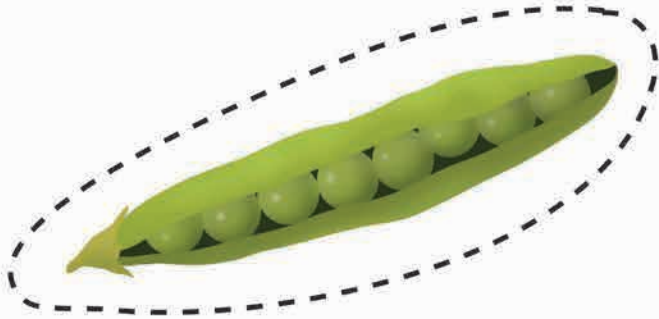
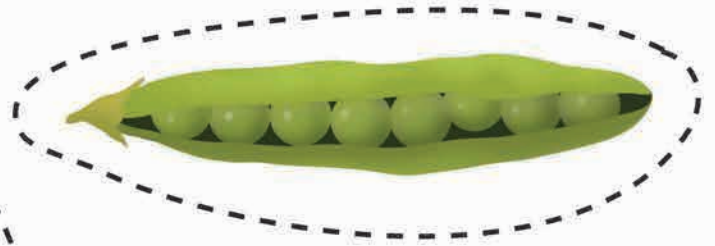
Cut and Play Farmers Market

Directions: Cut out the play foods and use them to make your own farmers market! What's your favorite item to buy?

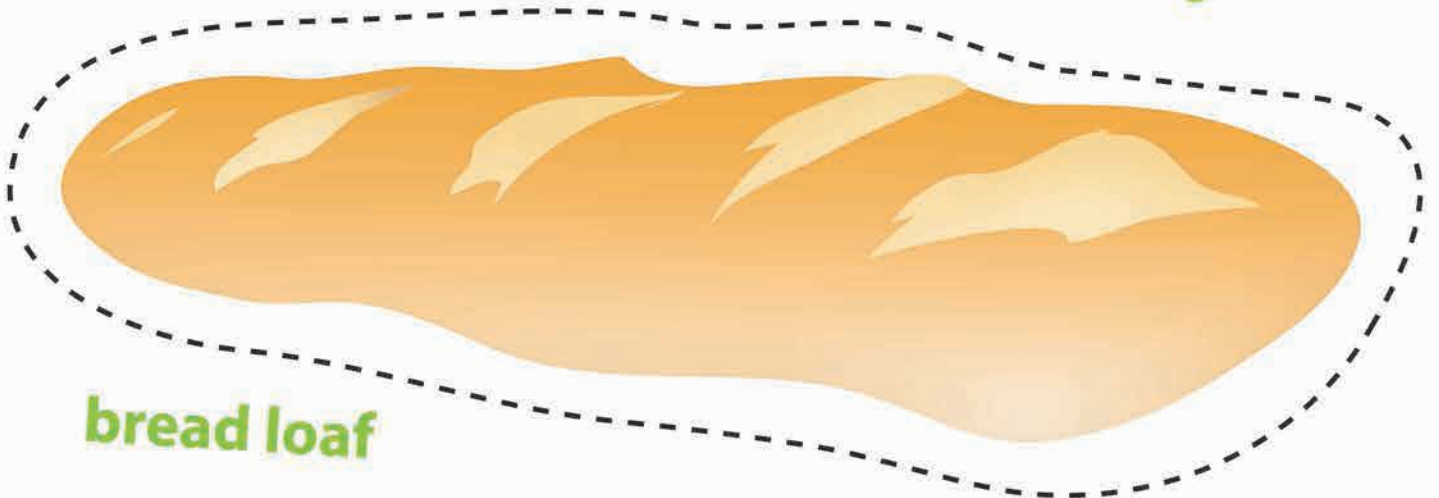
mushroom



peas



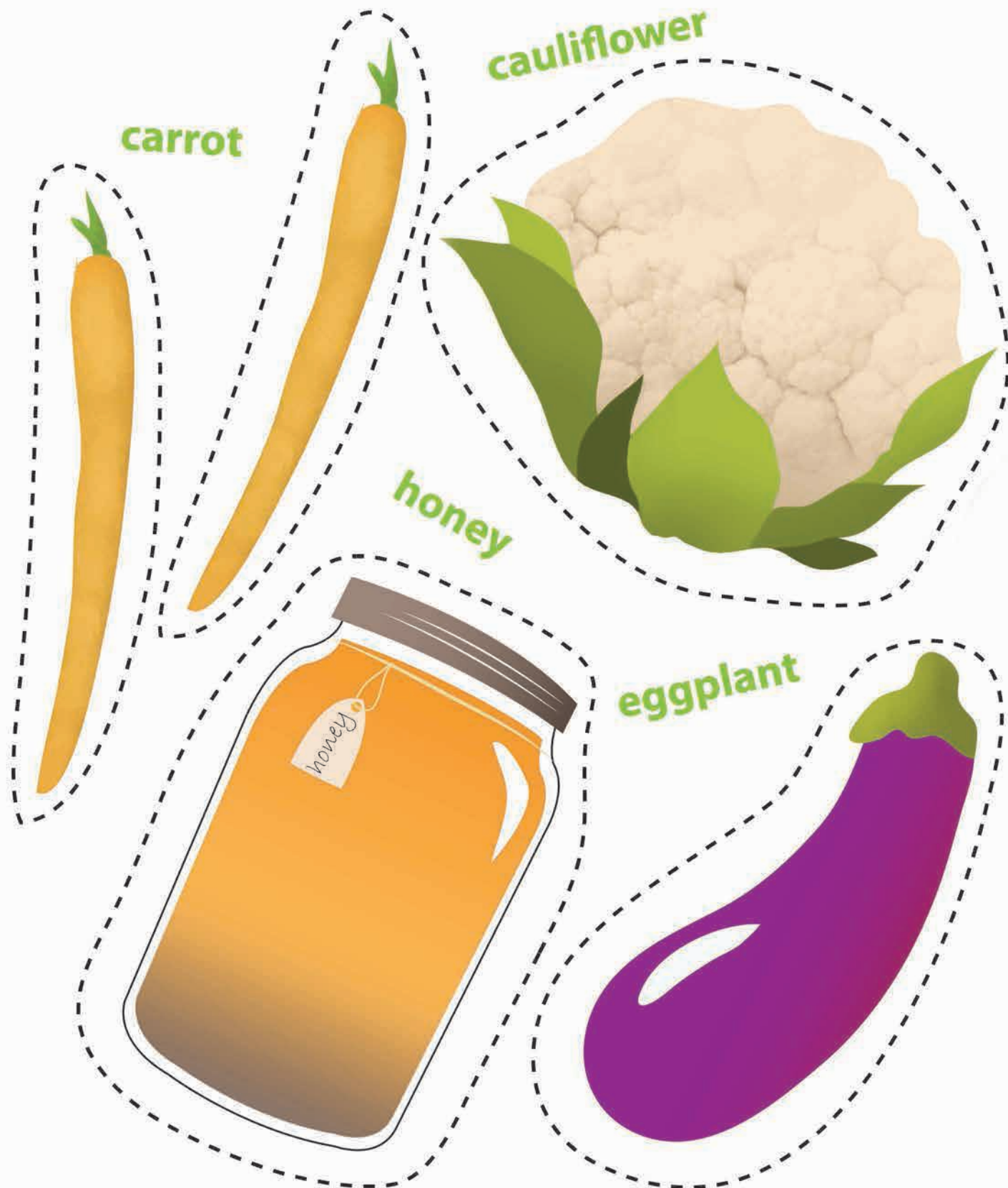
cheese



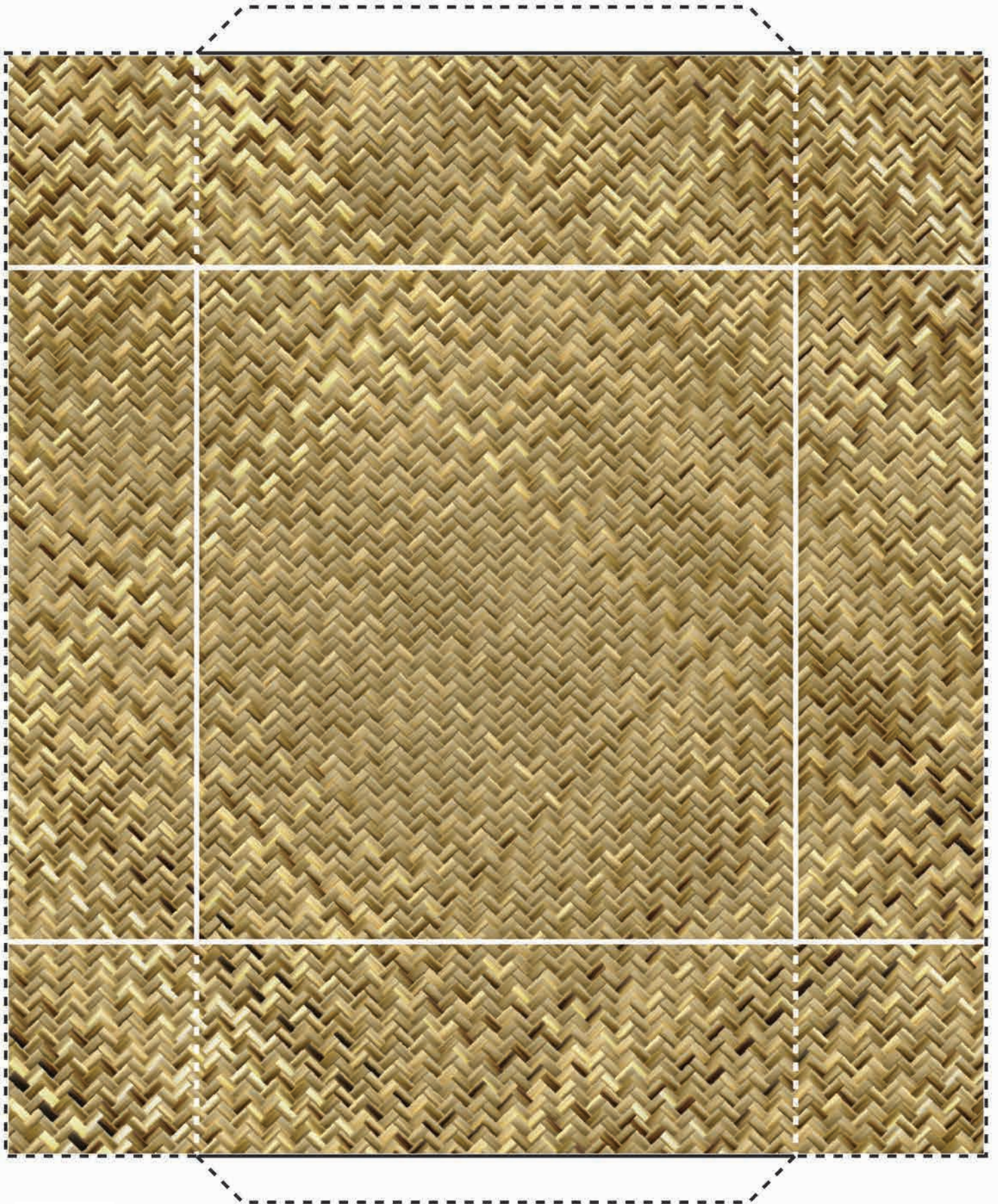
bread loaf

Cut and Play Farmers Market

Directions: Cut out the play foods and use them to make your own farmers market! What's your favorite item to buy?



Cut and Play Farmers Market

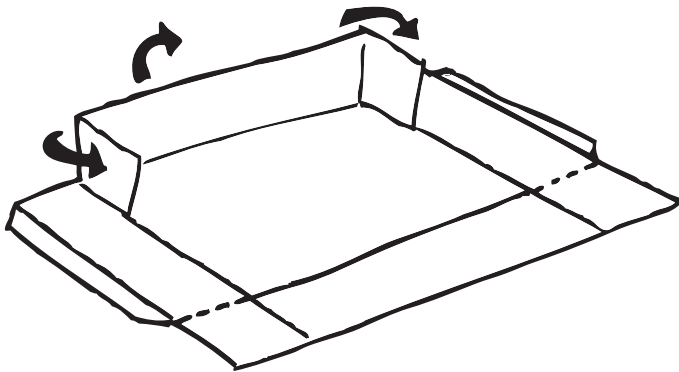
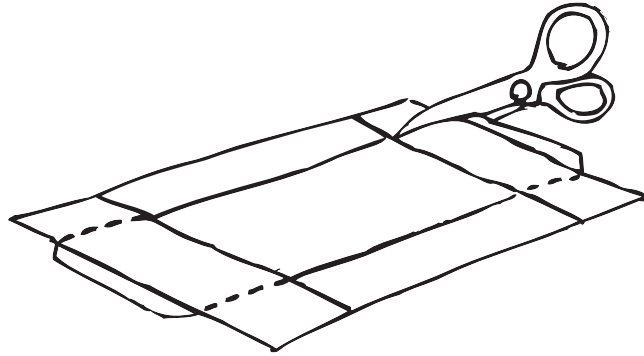


Cut and Play Farmers Market

Basket Craft Instructions

Step 1:

Cut out the basket template. Then, cut along the dotted lines at each corner.

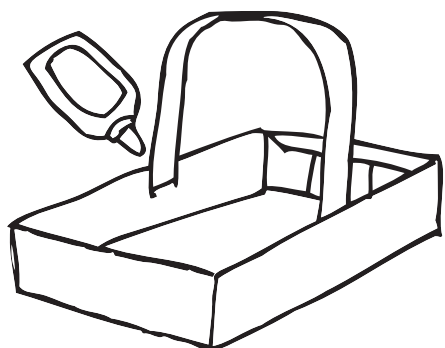
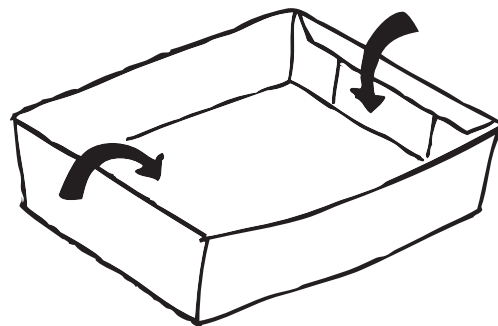


Step 2:

Fold in along the solid white lines. The blank side of the paper should be face-up.

Step 3:

Fold the white tabs on either end over on top of the previous folds. This will lock them all into place. You may want to use glue.



Step 4:

Cut out and glue the handle into the inside of the basket as shown.

HANDLE