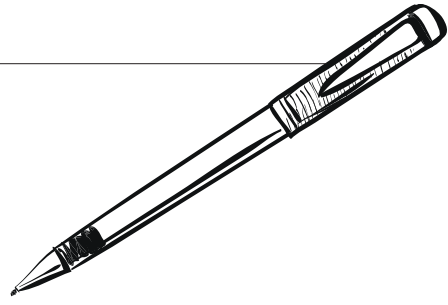


# On Demand Writing: Persuasive



Choose from one of the three prompts to write your persuasive essay.  
Use the reminders provided to help you plan and craft your essay.

## Prompt Choices:

1. Write an essay to persuade your reader that recess period should be extended.
2. Choose your favorite pet, musical instrument, holiday, video game, or sport, and write an essay persuading your reader that it is the best.
3. Write an essay to persuade your reader that students should be able to listen to music using earbuds or headphones in school.

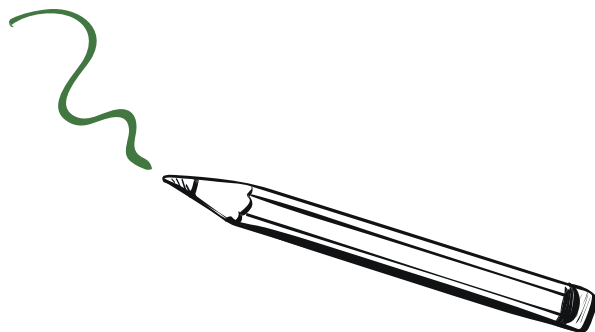
## The author's point of view is supported by:

• facts • reasons • statistics • values • beliefs • examples • anecdotes

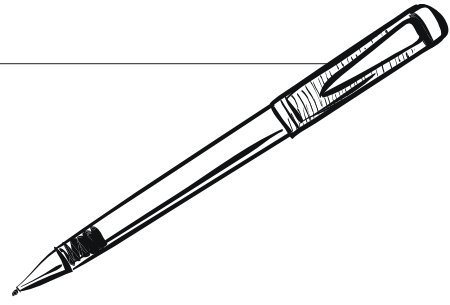
(Circle those that apply!)

## Be sure to include:

- A dynamic introduction that presents the topic and the author's position
- Body paragraphs in which reasons are supported by facts, statistics, examples, anecdotes, values, and/or beliefs
- An organizational plan that places the strongest argument last
- Acknowledgment and rebuttal of counterarguments
- A strong conclusion that reiterates the point of view, and/or includes a call to action



# on Demand Writing: Persuasive



Review these transition words you can incorporate into your persuasive essay.

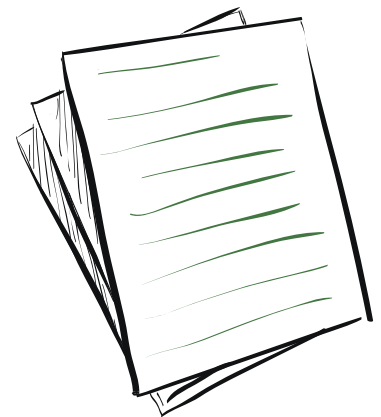
## Transition phrases:

- For example,
- For instance,
- Most noticeably,
- In the story/poem/book/chapter,
- As seen in the story,
- In fact,
- In addition,
- Another example/instance,
- To begin with,
- As presented by the author,
- In other words,
- Clearly,
- Furthermore,
- However,
- Nonetheless,
- In regards to
- One can see
- This shows that
- Consequently,
- Thus,
- Hence,

## Concluding Transition Words:

- Hence,
- Thus,
- So,
- Finally,
- Overall,
- Lastly,
- In the end,
- Clearly,

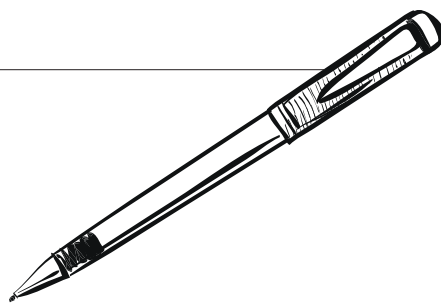
\* Use these words to begin your concluding sentences.



Name \_\_\_\_\_

Date \_\_\_\_\_

# on Demand Writing: **Persuasive**



Use the space below to draft a persuasive essay on the topic of your choosing.

---

---

---

---

---

---

---

---

---

---

---

---

---

---

---

---

---

---

---

---

---

---

---