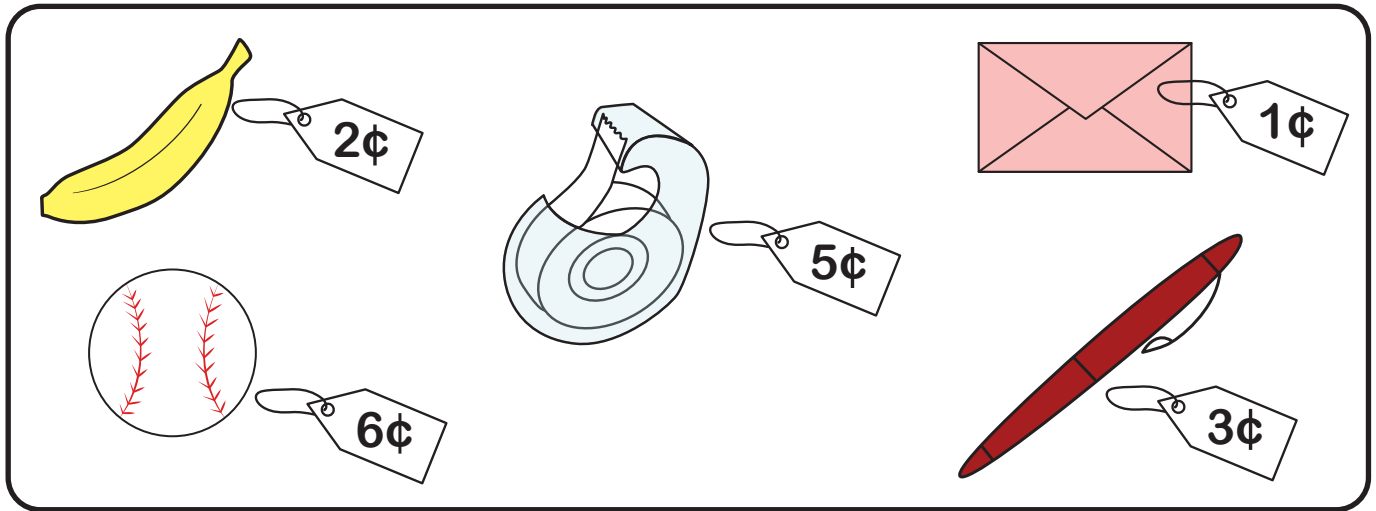


# Money Math

## HOW MUCH SHOULD I PAY?

John, Tom, Cindy, and Ria are going to the market. They need to buy a few things. Help them find the prices for the items they need, then add the prices to find the total amount they have to pay.



**John**

Pen	
Banana	
+	
<b>TOTAL</b>	

**Tom**

Tape	
Envelope	
+	
<b>TOTAL</b>	

**Cindy**

Ball	
Pen	
+	
<b>TOTAL</b>	

**Ria**

Banana	
Tape	
+	
<b>TOTAL</b>	