

Measurement & Data Review

Convert the metric measurements.

$$7.2 \text{ km} = \underline{\hspace{2cm}} \text{ m}$$

$$175 \text{ mm} = \underline{\hspace{2cm}} \text{ cm}$$

$$9325 \text{ cm} = \underline{\hspace{2cm}} \text{ m}$$

$$35.8 \text{ m} = \underline{\hspace{2cm}} \text{ mm}$$

Convert the liquid measurements.

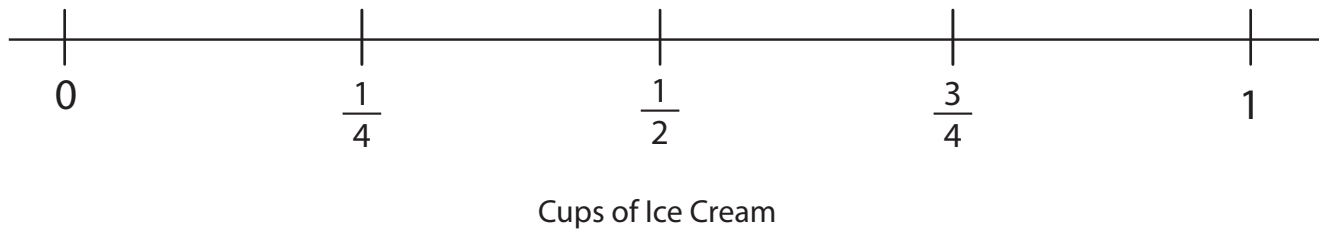
$$18 \text{ cups} = \underline{\hspace{2cm}} \text{ pints}$$

$$1.5 \text{ gal} = \underline{\hspace{2cm}} \text{ quarts}$$

$$24 \text{ pints} = \underline{\hspace{2cm}} \text{ gal}$$

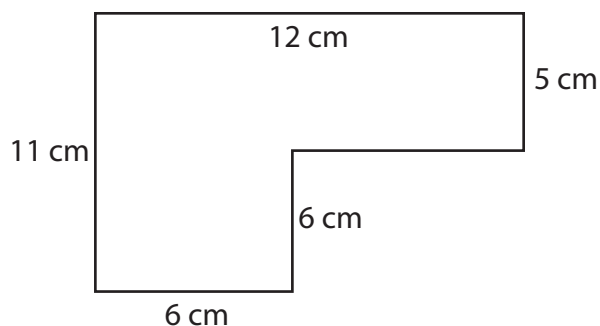
$$21 \text{ quarts} = \underline{\hspace{2cm}} \text{ cups}$$

Vishal gathered data about the amount of ice cream his friends ate at his birthday party. Two friends ate $\frac{1}{4}$ cup of ice cream, three friends ate $\frac{1}{2}$ cup of ice cream, and one other friend ate $\frac{3}{4}$ cup of ice cream. Vishal had $\frac{1}{2}$ cup of ice cream. Make a line plot to show how much ice cream was consumed at the party.



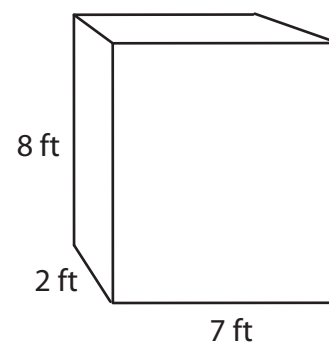
How much ice cream was eaten altogether? _____

Find the area.



Area = _____

Calculate the volume.



Volume = _____