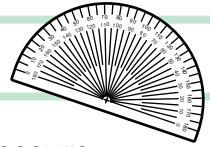
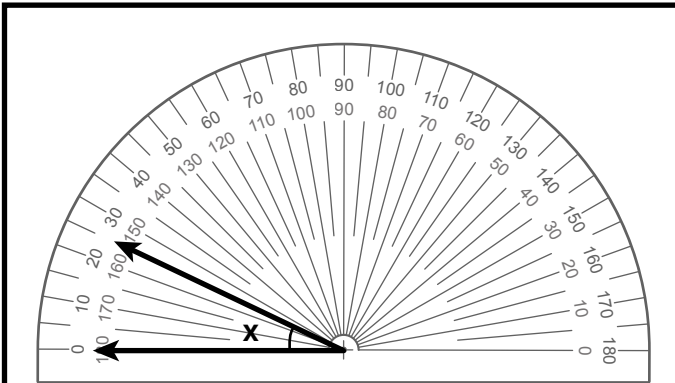


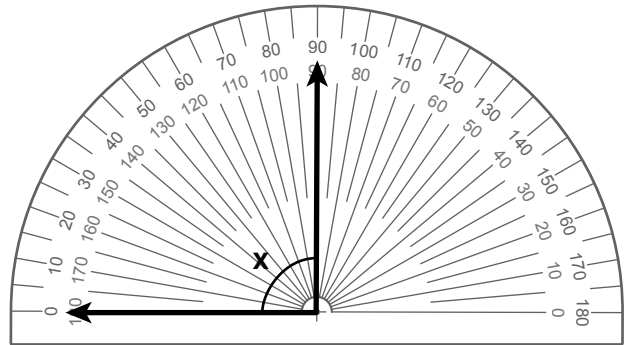
Measure and Classify Angles



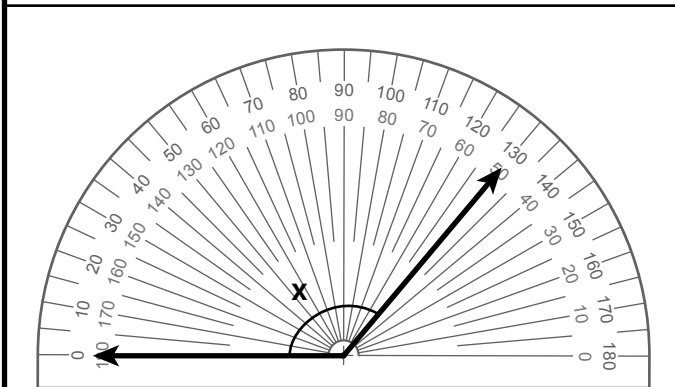
Directions: There are four types of angles: acute, right, obtuse, and straight. Measure the following angles using the protractor provided. Then name the type of angle.



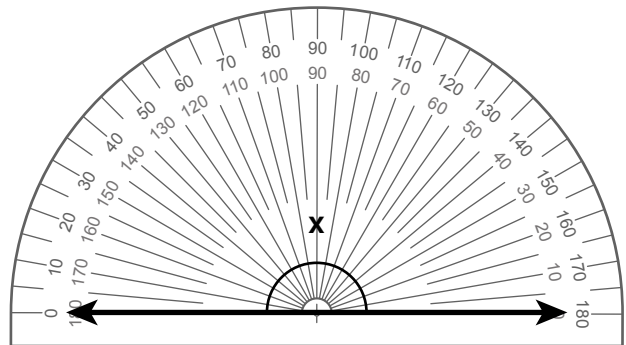
x: _____ Angle type: _____



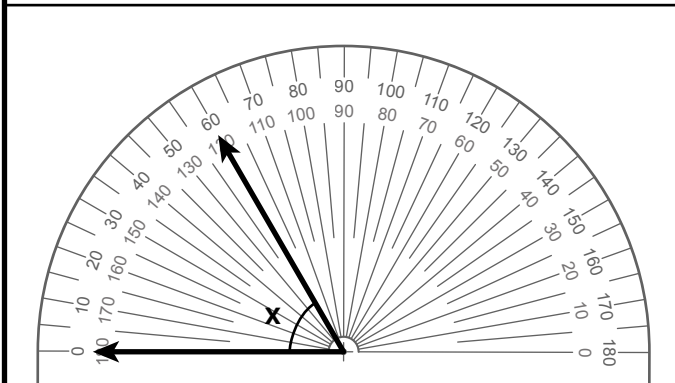
x: _____ Angle type: _____



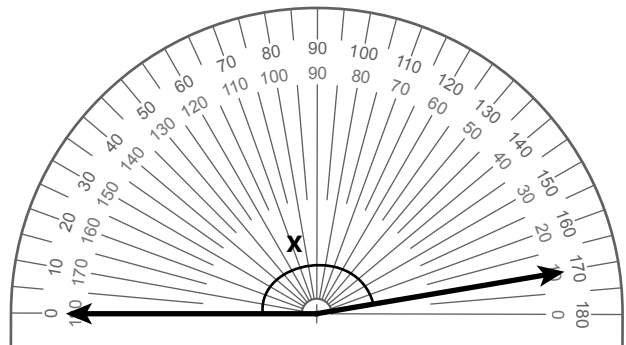
x: _____ Angle type: _____



x: _____ Angle type: _____



x: _____ Angle type: _____



x: _____ Angle type: _____