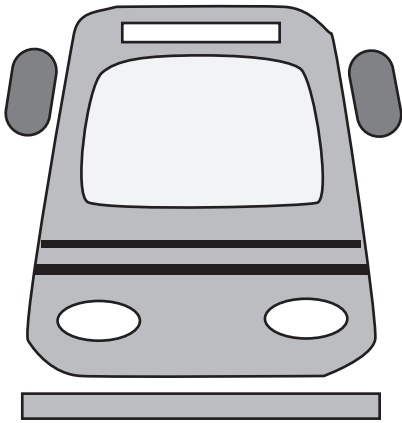
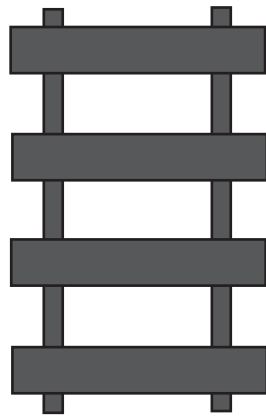


La Gare - The Train Station

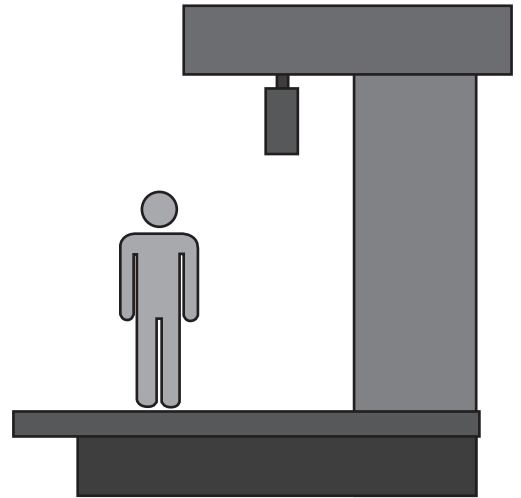
Here are some symbols for things you will find at the train station. Each symbol has a specific meaning.



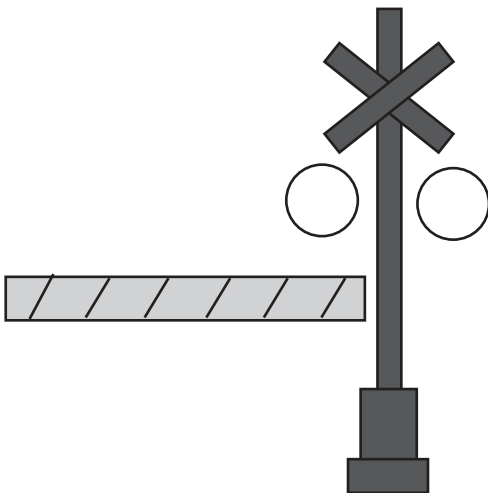
le train
the train



la voie ferrée
the train tracks



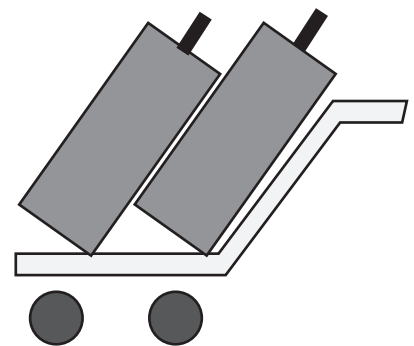
le quai
the platform



le croisement de train
the train crossing



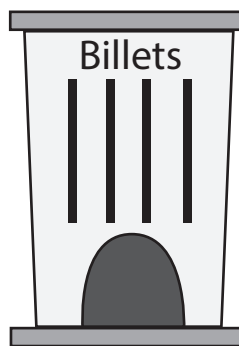
le contrôleur
the inspector



les bagages
the luggage



le kiosque d'information
information



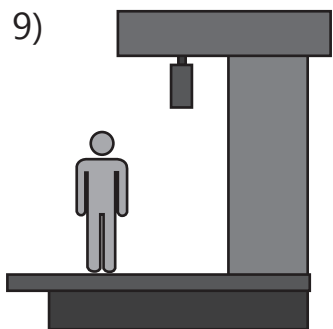
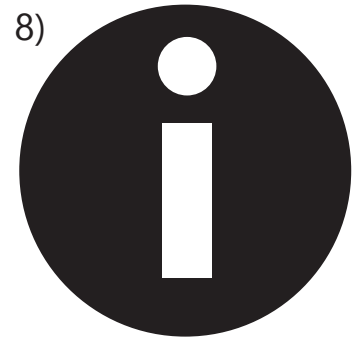
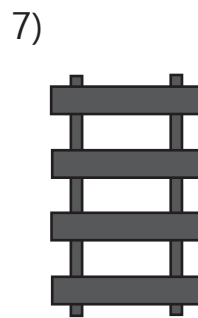
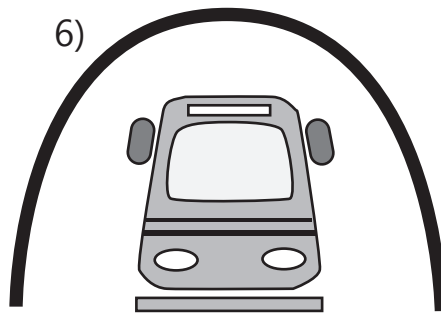
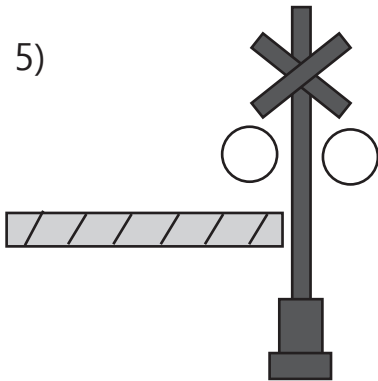
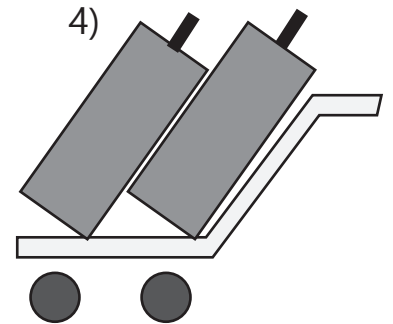
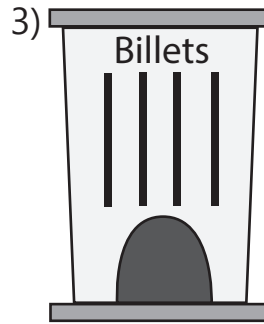
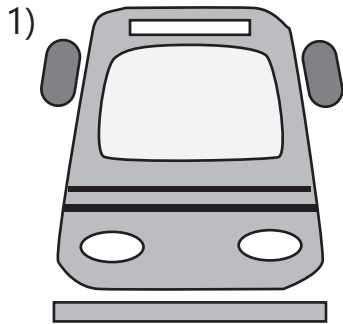
le guichet
the ticket booth



le tunnel
the tunnel

La Gare - The Train Station

Write all of the French symbols in the order that they appear.



- 1) _____
- 2) _____
- 3) _____
- 4) _____
- 5) _____
- 6) _____
- 8) _____
- 9) _____