

Kwanzaa Decorations!

Kwanzaa has many symbols that represent African culture. Some of them are here for you to color and decorate. Ask an adult to help with cutting and folding the pieces so they stand up.

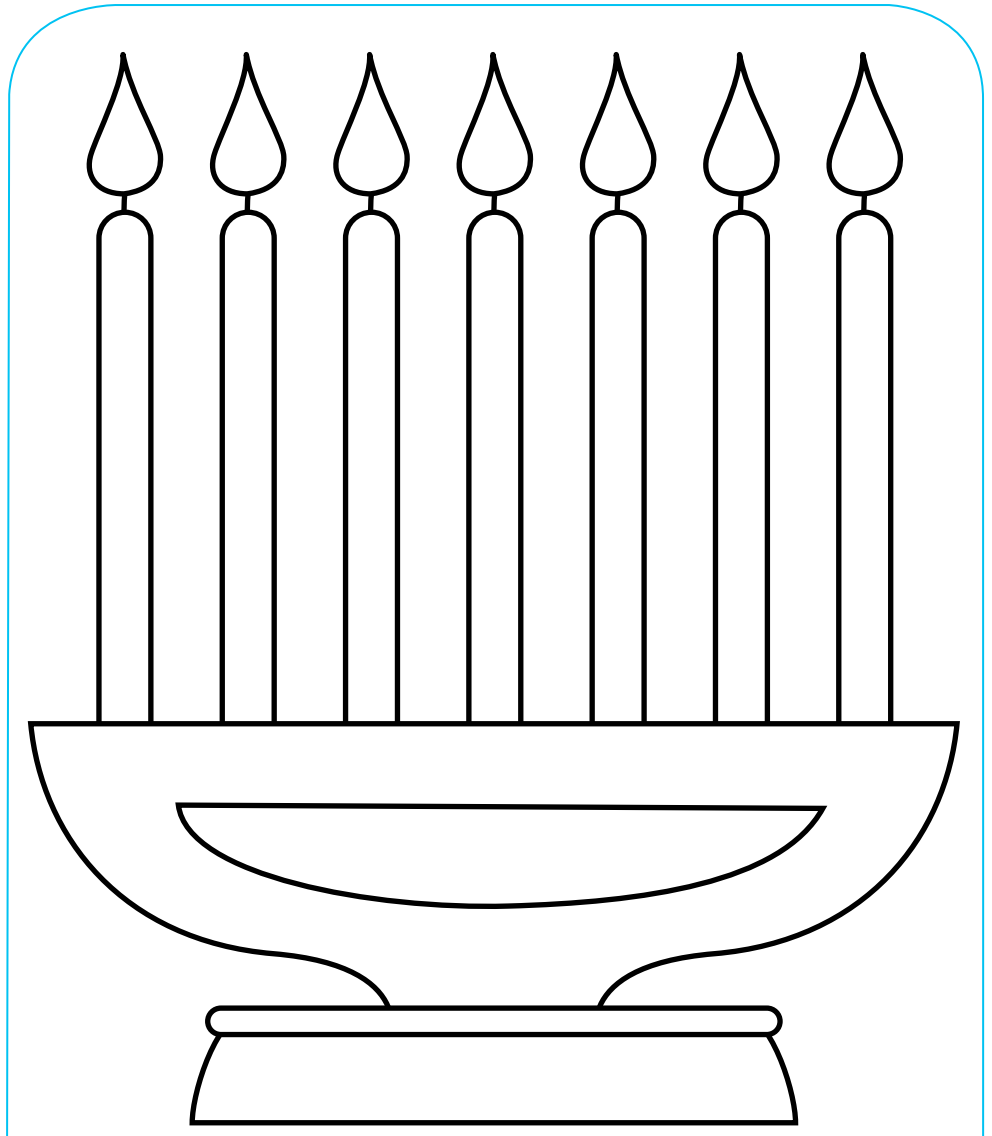


This project works best printed on heavy paper!

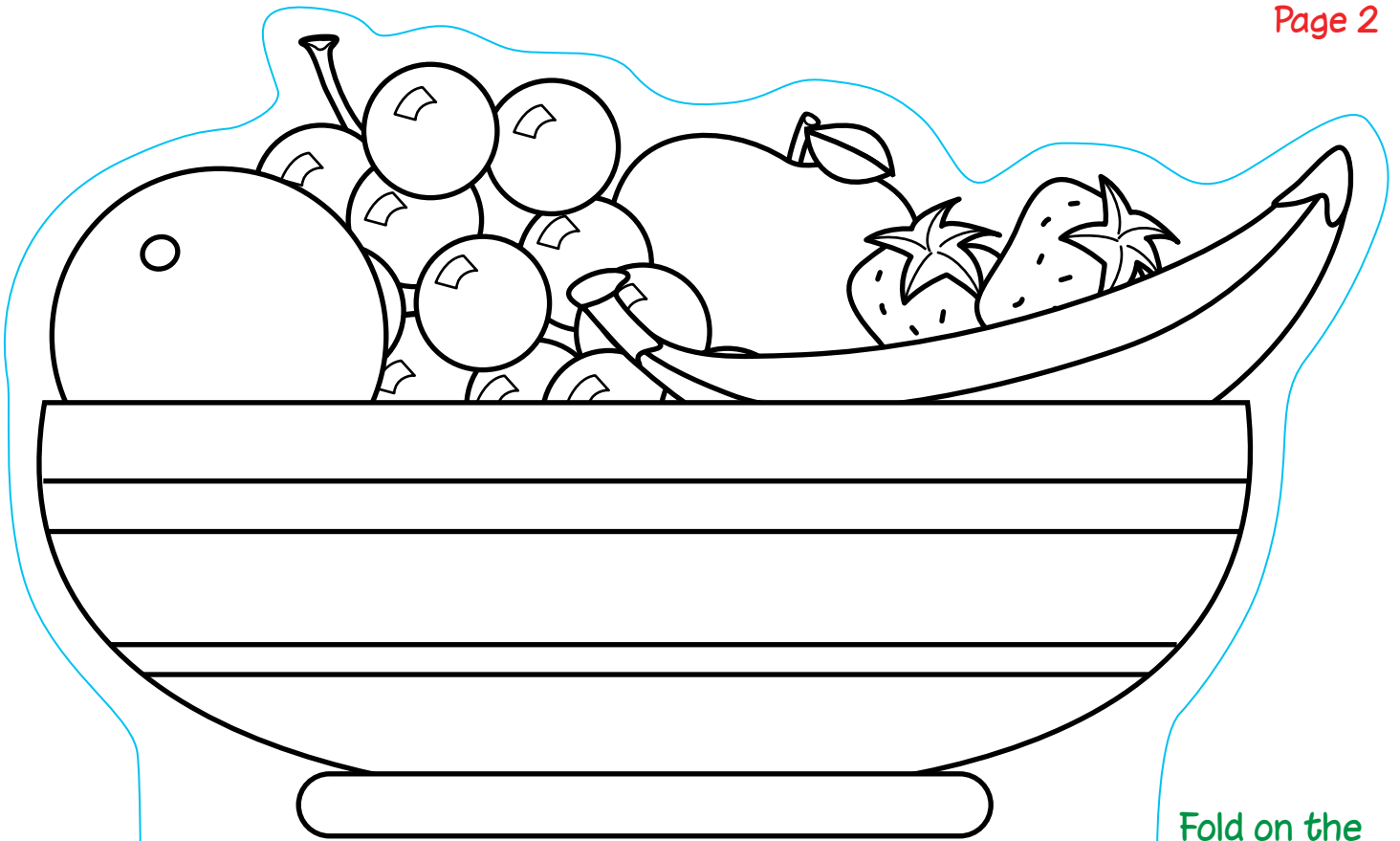


Kikombe cha Umoja
(The Unity Cup)

Fold on the
dotted lines.

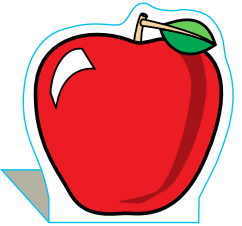


Mishumaa Saba (The Seven Candles)

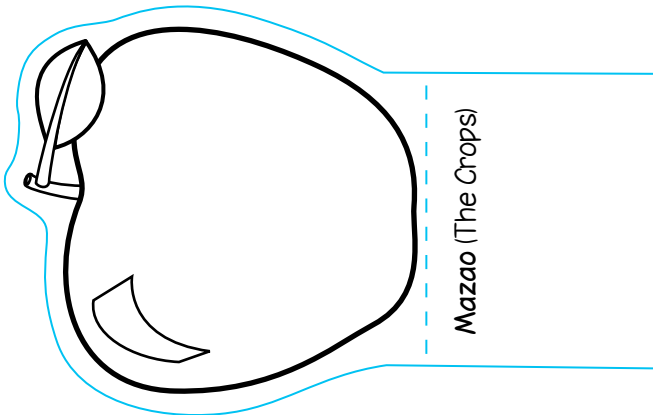


Mazao (The Crops)

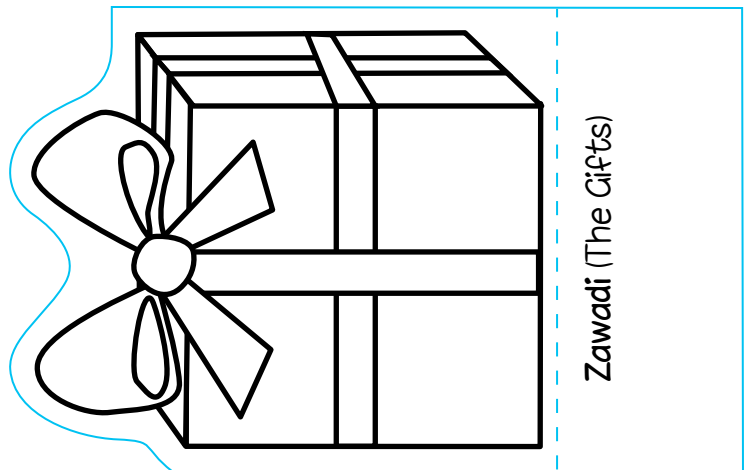
Fold on the dotted lines.



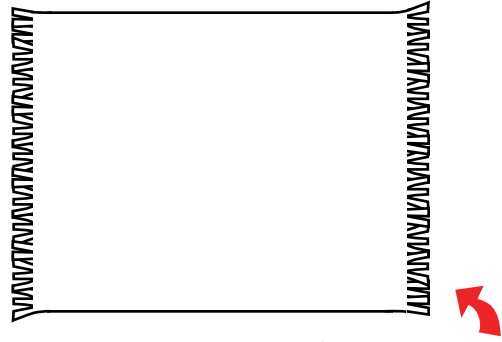
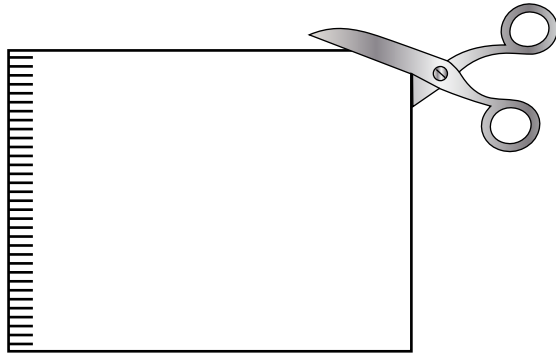
This project works best printed on heavy paper!



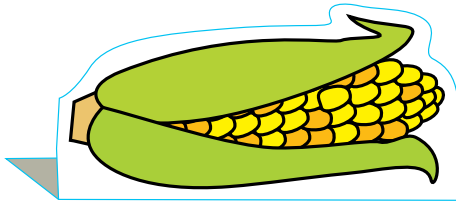
Mazao (The Crops)



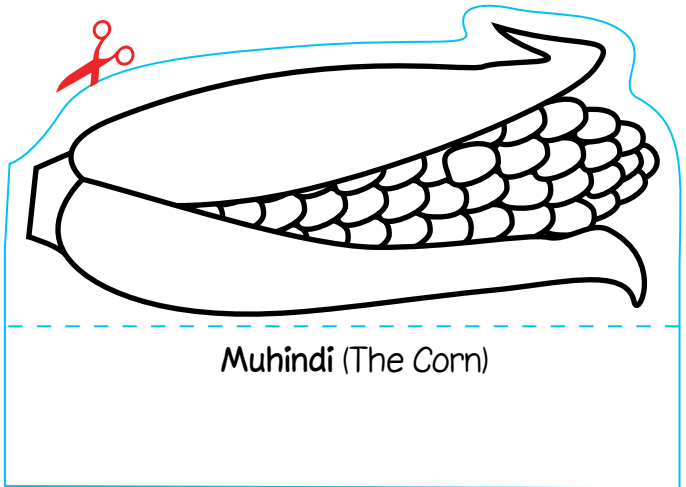
Zawadi (The Gifts)



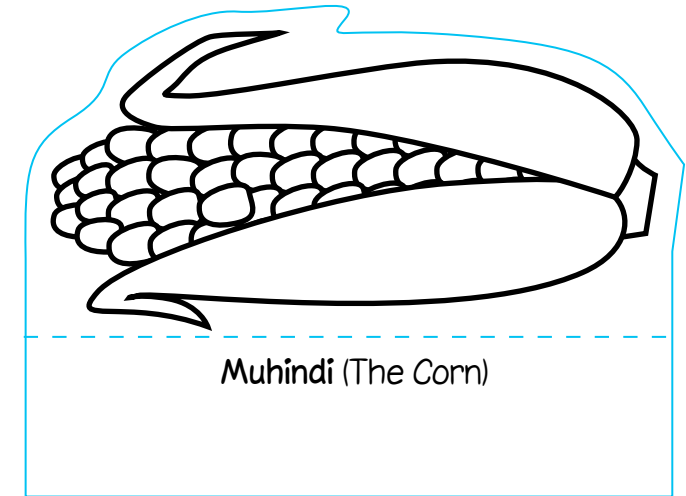
Use a full sheet of paper for the mat. With scissors, cut many slits on the short sides and then ruffle them to look like fringe.



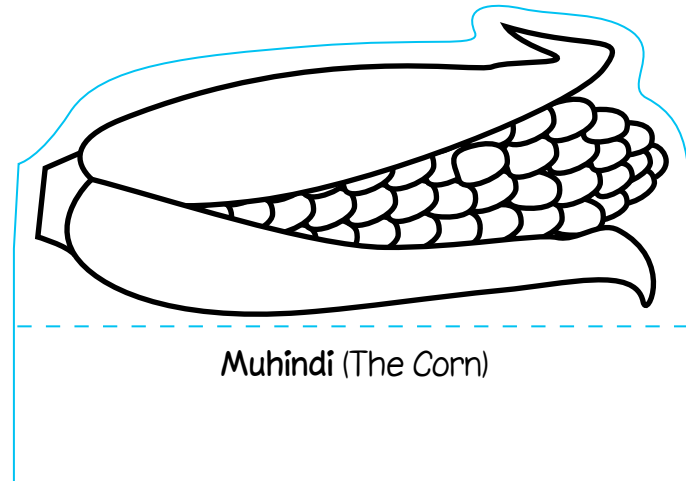
Fold on the dotted lines.



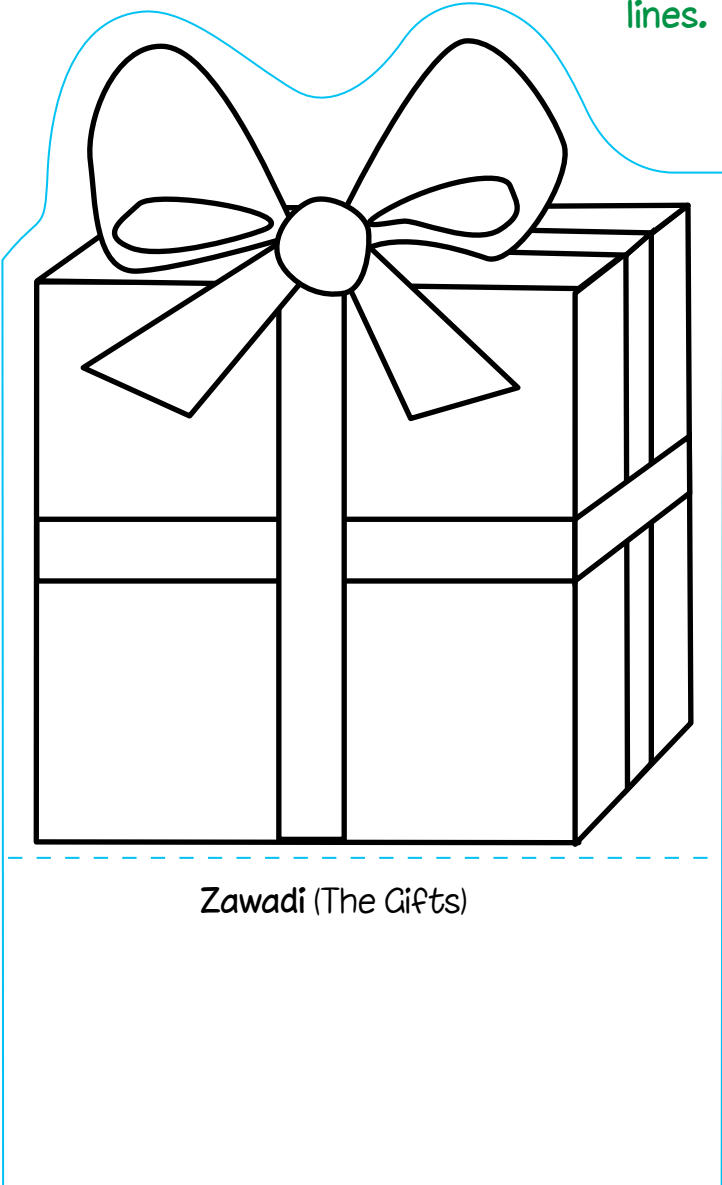
Muhindi (The Corn)



Muhindi (The Corn)



Muhindi (The Corn)



Zawadi (The Gifts)