



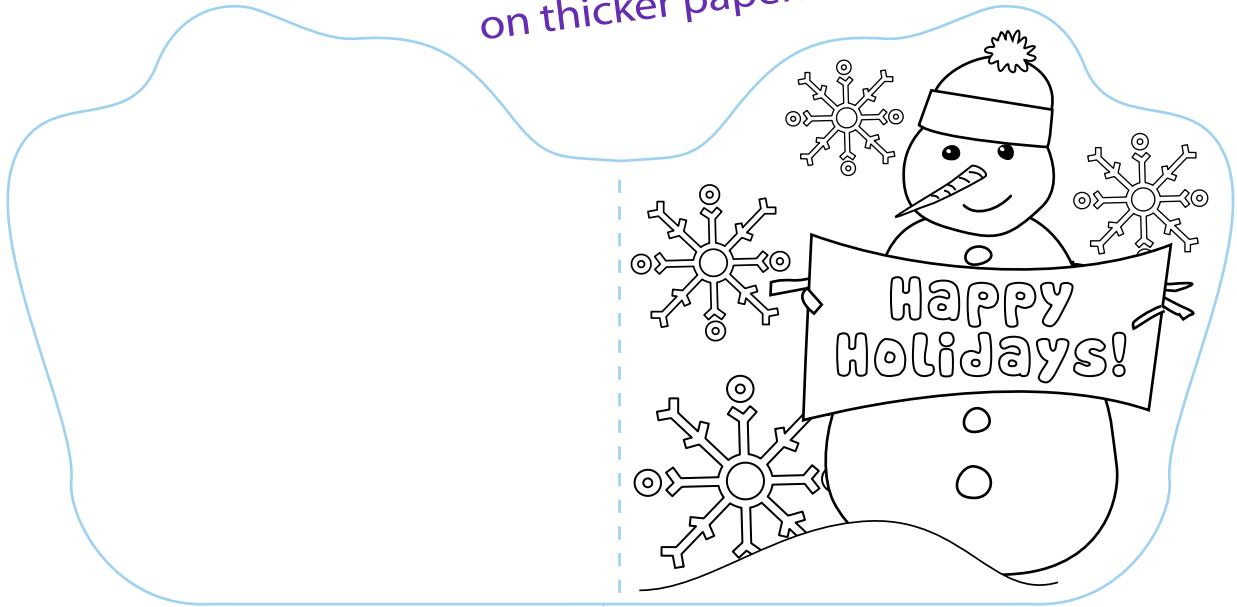
Holiday CARDS

PAGE
ONE

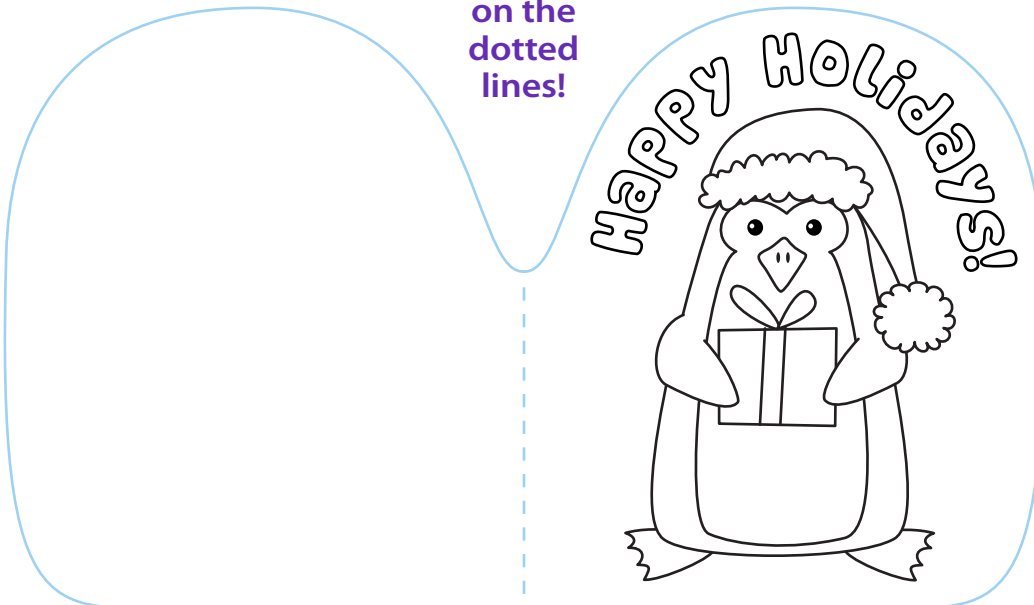
After coloring, cut the cards roughly out from the page. Fold on the dotted lines, then cut out the shapes. Make sure not to cut the edges holding the cards together!
Next, write a message inside and sign your name!

The second page has an envelope to cut and assemble.
Ask a grown-up for help with this project if needed!

This project
works best printed
on thicker paper!

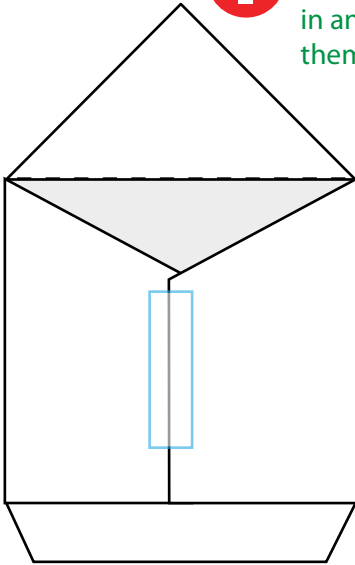


Fold
on the
dotted
lines!

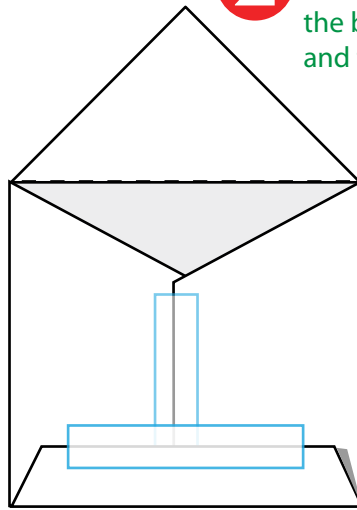


Make an Envelope for Your Holiday Card!

1 Fold the sides in and tape them together.



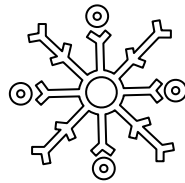
2 Next, fold up the bottom flap and tape.



3 Turn over & decorate!



Fold on the dotted lines.



Print on **thicker paper** for best results.

