

The history of...

Nashville

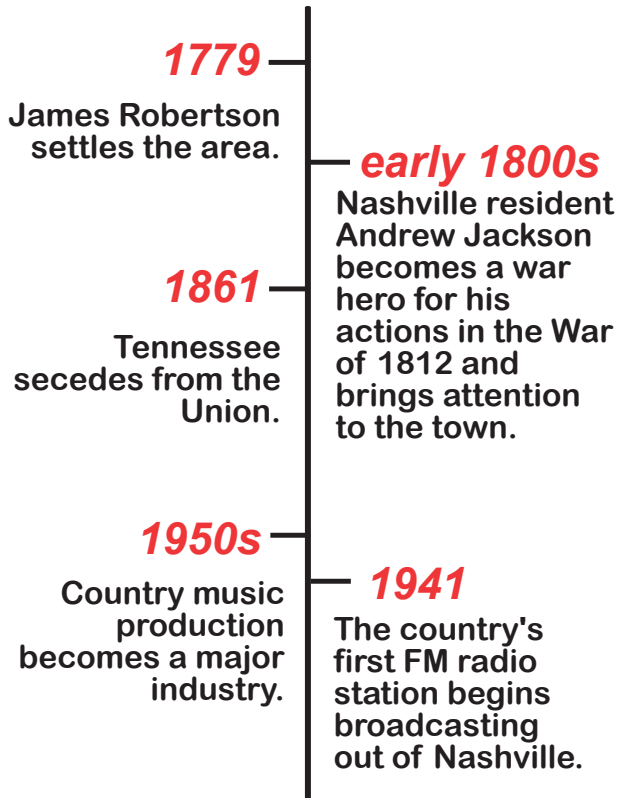


Word Search!

Find the famous landmarks and features listed below.
Words may be upside down, backward or diagonal.

R A D N O R L A K E O F C
X I L W C N O Z G N O R O
A O M S I C N A R O G A U
H S Z N S N C B A X F N N
A N E N U C I S N A S C T
L D P U T E N S D U O I R
S L C A T R B Z O D K S Y
T F H J I P O D L I C N M
C Z R X L R W M E S I A U
E B M O V P L E O I H S S
S R E G N A R S P S D H I
A T Z F N T I J R C I A C
M U S I C C I T Y N O P T

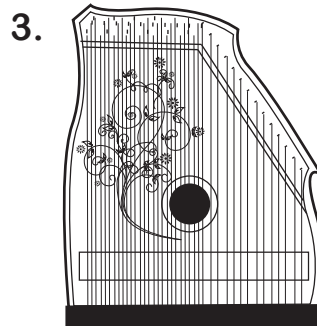
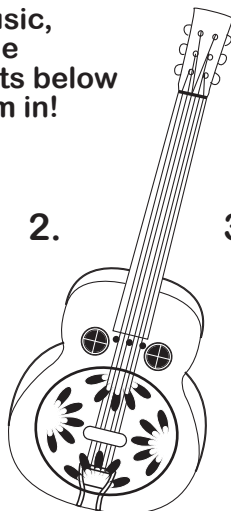
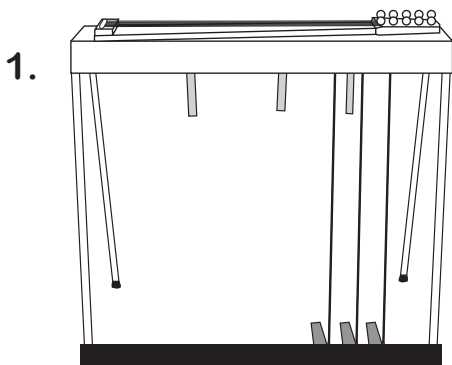
Time Line



Music City
Radnor Lake
Grand Ole Opry
Francis Nash
Country Music

Name that *instrument!*

Nashville is known for country music, which uses many of its own unique instruments. Match the instruments below with their names. Then, color them in!



- A. Dobro
- B. Zither
- C. Pedal Steel Guitar

Quiz

A copy of the ancient Greek structure, the _____, stands in Nashville's Centennial Park.

_____ was completed in Athens, Greece in 438 B.C.

Answer: Parthenon. The original Parthenon

Answers: 1) C 2) A 3) B