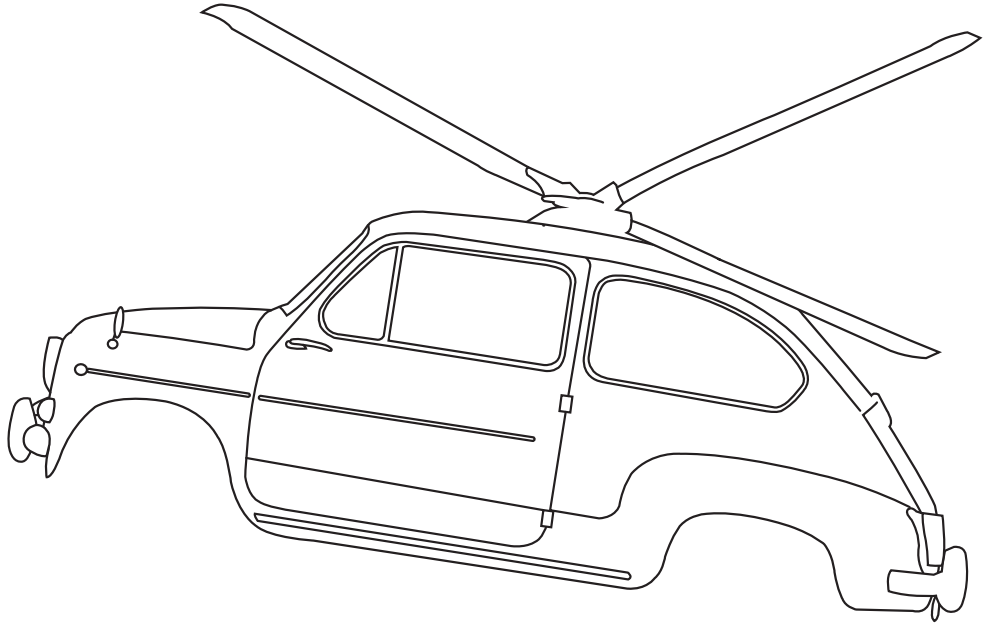


Name _____

Date _____

Mixed-Up Vehicle

This vehicle is all mixed up! What is missing, and what shouldn't be there?
Circle the missing and extra parts. Then use the space below it to
draw a mixed-up vehicle of your own!

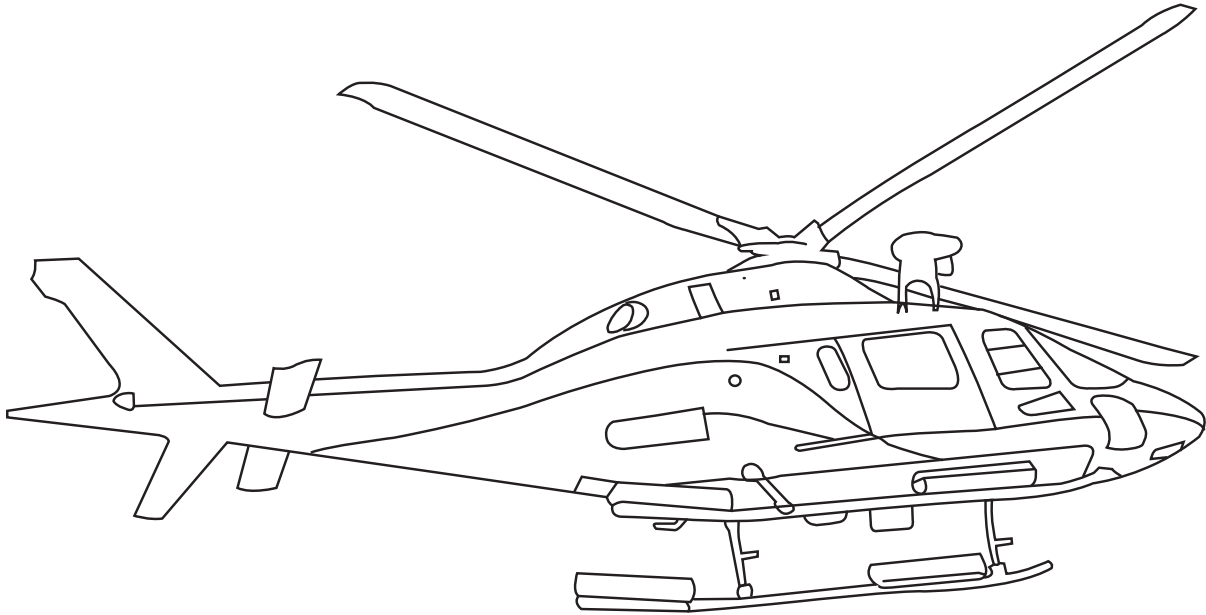


Name _____

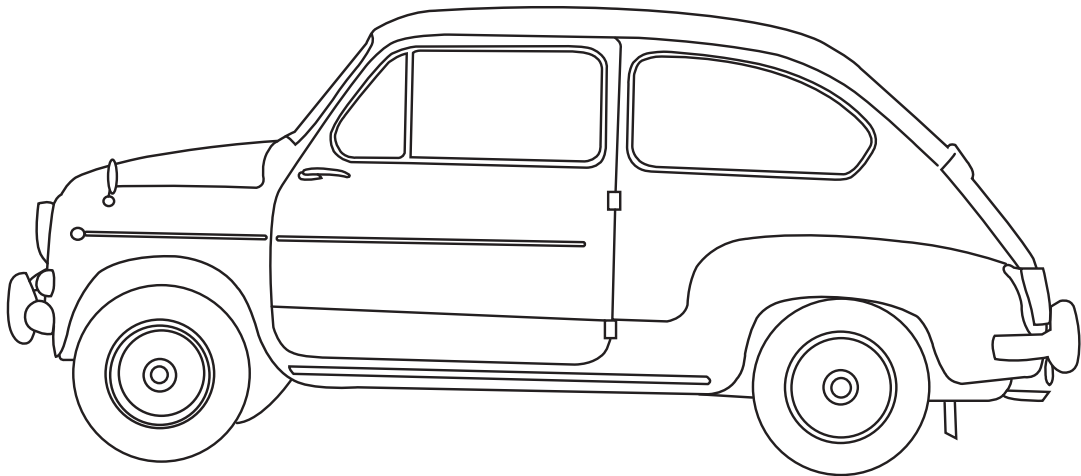
Date _____

Mixed-Up Vehicle

Color in each of the vehicles below.
Then trace the name of each one on the line below it.



helicopter



car