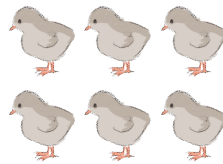
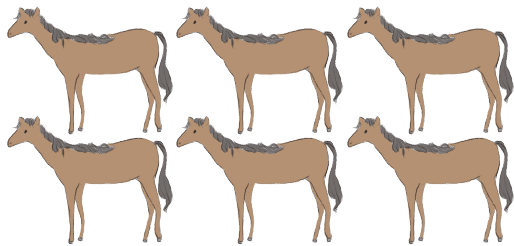
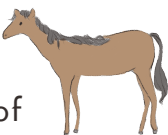


Counting Practice: 1-10

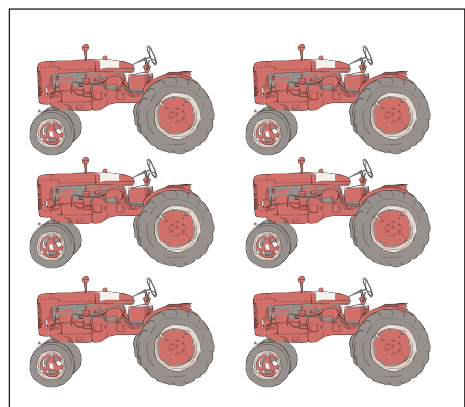
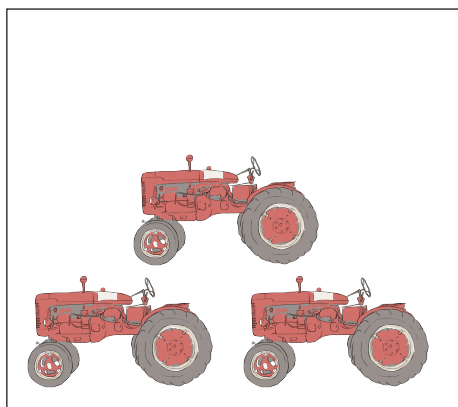
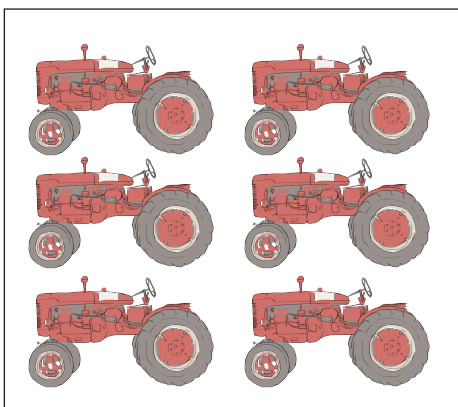
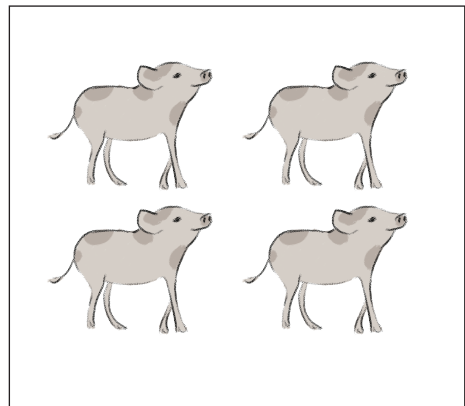
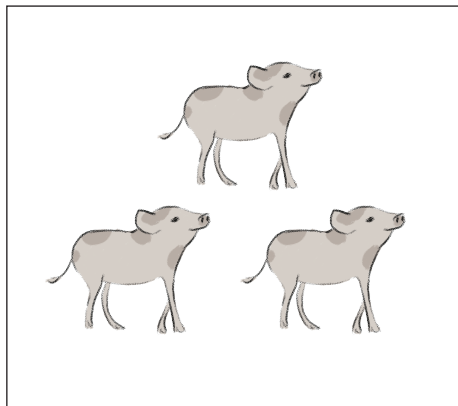
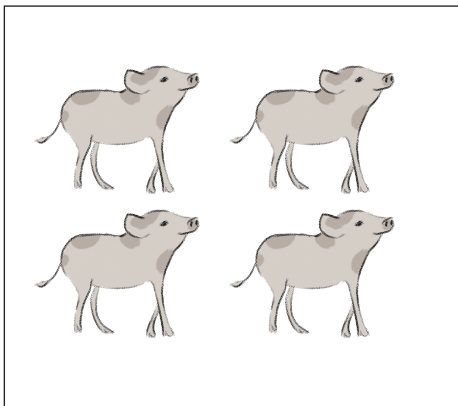


How many horses do you see? How many chicks do you see?
Count them out loud.



The number of  is the same as the number of .

Directions: Count the farm animals and equipment on each card.
Circle the cards that have the same number.



Name _____ Date _____

Counting Practice: 1-10

