

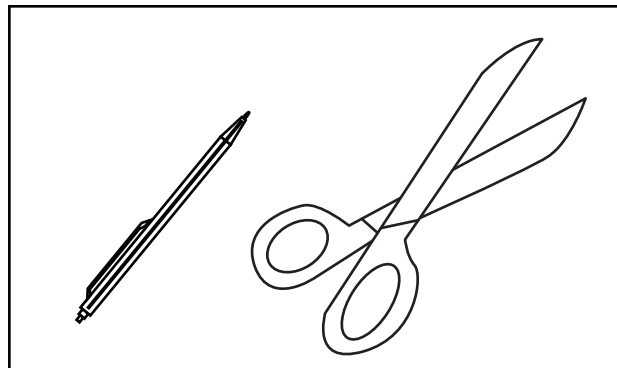
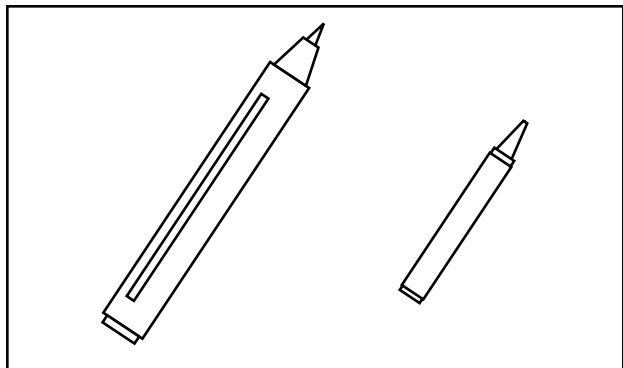
Name: _____

Date: _____

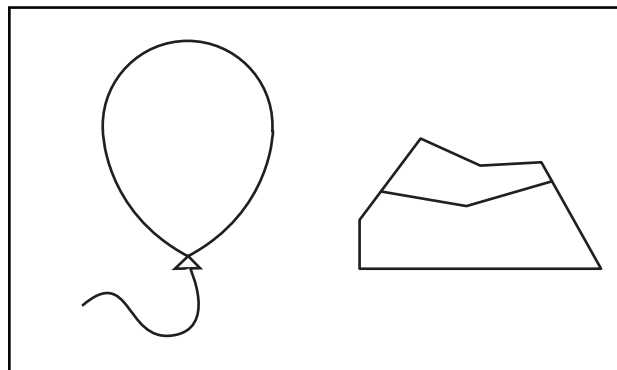
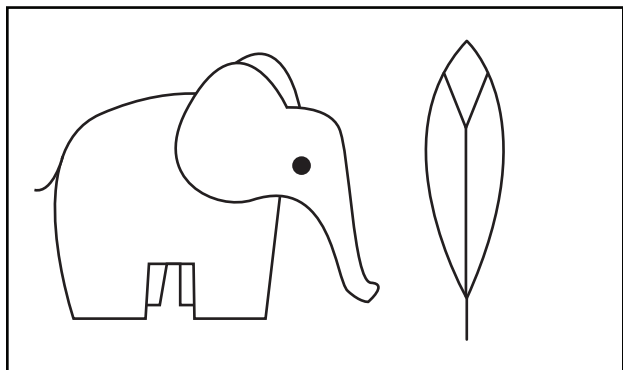
End of Year Math Assessment: Measurement



1. Circle the object in each pair that is shorter. Color the object in each pair that is longer.



2. Circle the object in each pair that is heavier. Color the object in each pair that is lighter.



3. Circle the object in each pair that holds more. Color the object in each pair that holds less.

