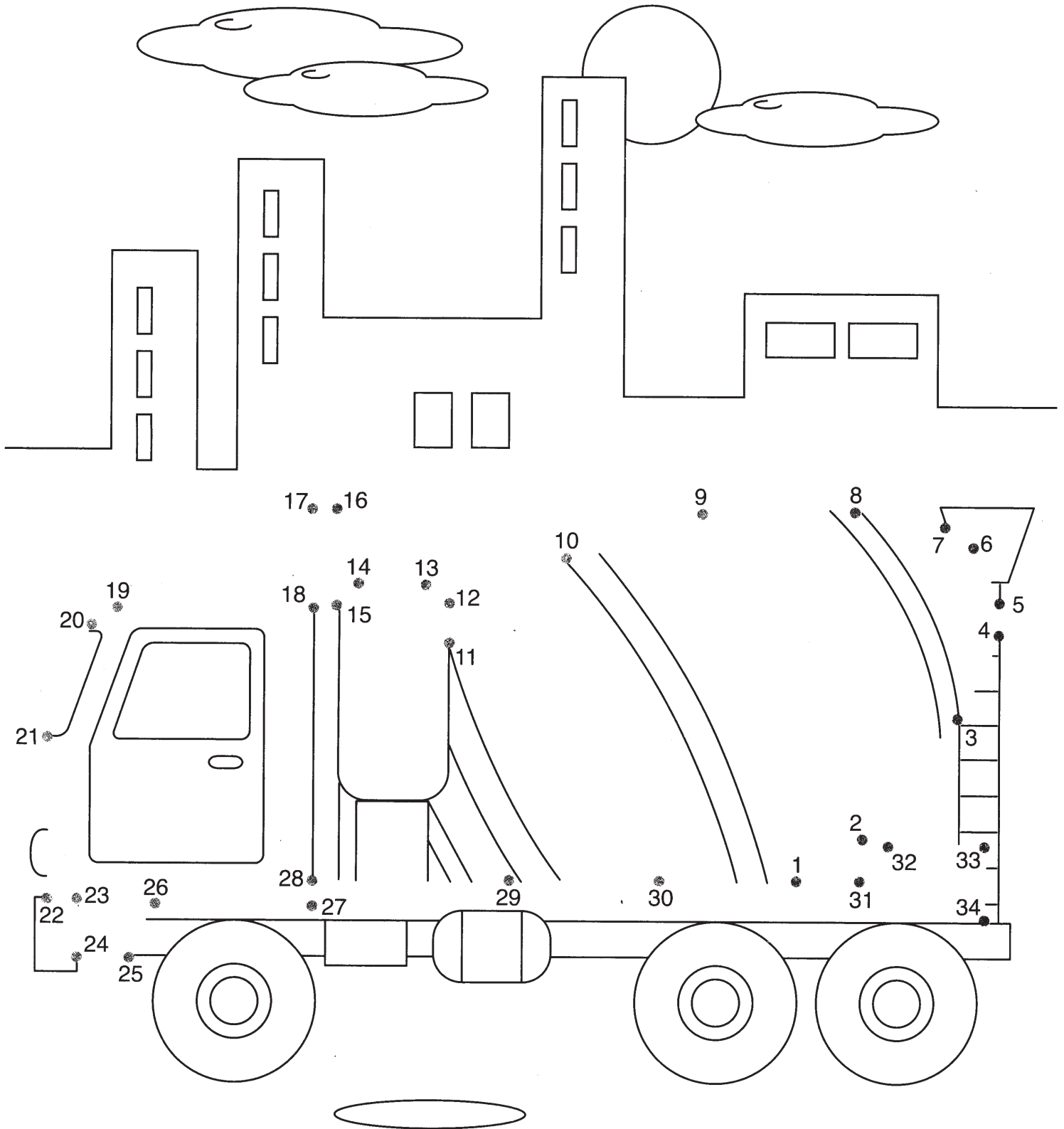


# Mix-Up



The big revolving drum makes cement by mixing water with these minerals: calcium, silica, iron, and aluminum.