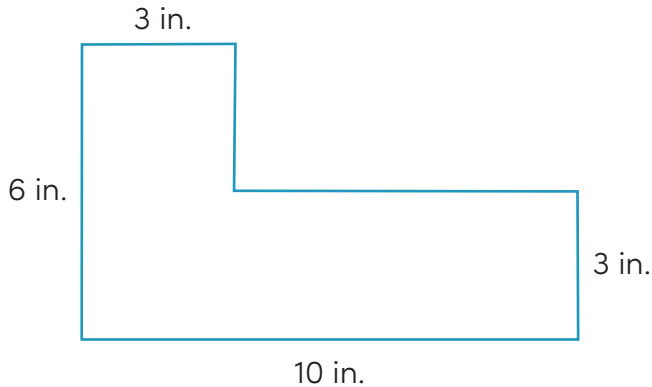
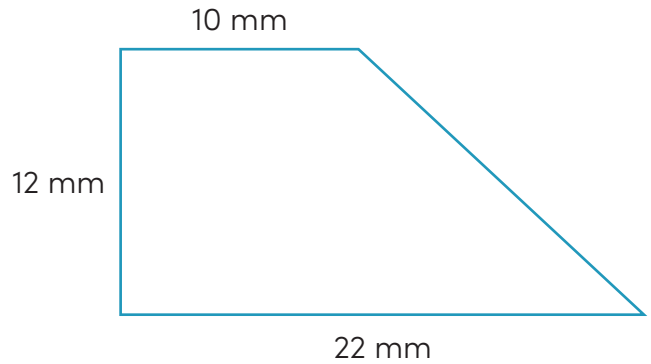


# Decomposing Polygons to Find Area

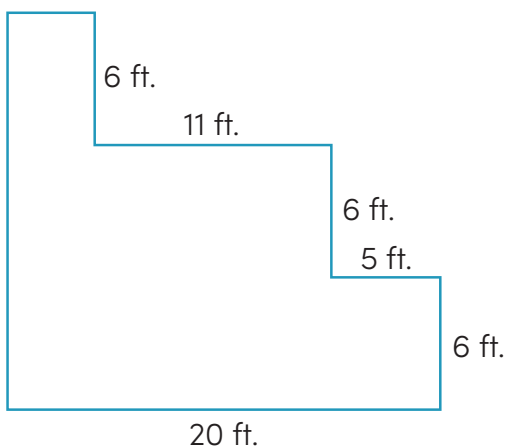
**Directions:** Find the area of each polygon below. Decompose each polygon into basic shapes, such as rectangles and triangles. Find the total area by adding up the areas of the smaller shapes.

**1.**

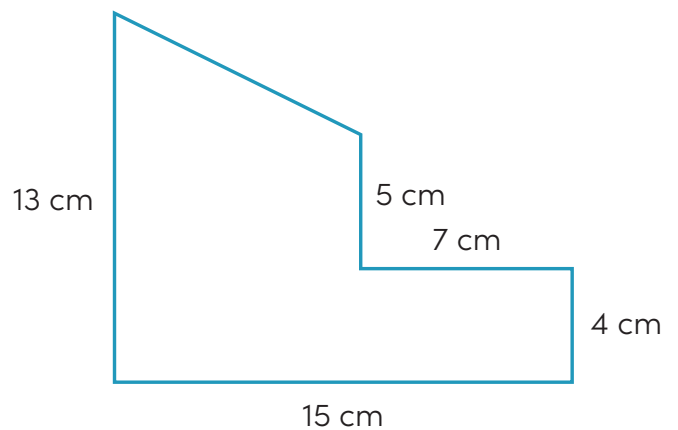
total area = \_\_\_\_\_

**2.**

total area = \_\_\_\_\_

**3.**

total area = \_\_\_\_\_

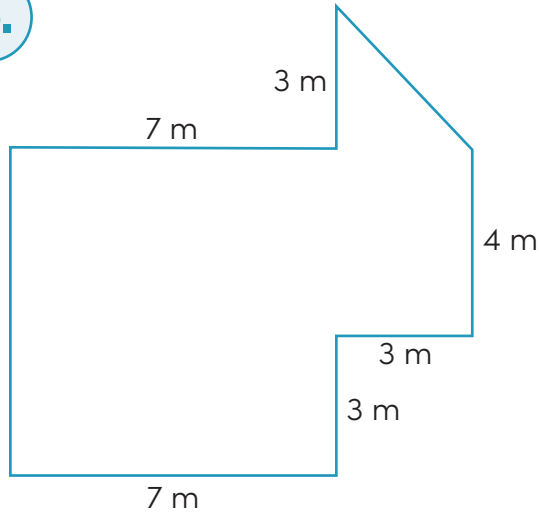
**4.**

total area = \_\_\_\_\_

# Decomposing Polygons to Find Area

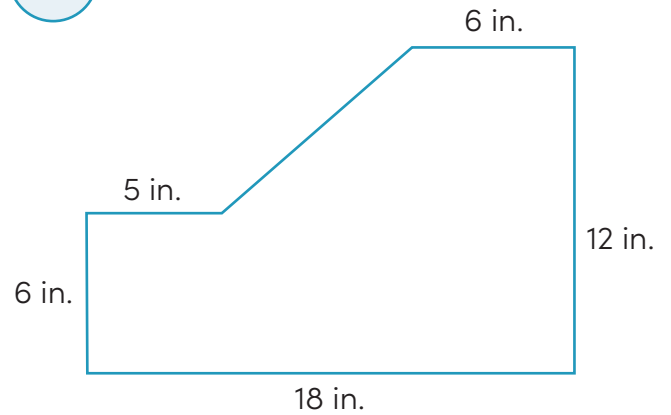
**Keep going!** Find the area of each polygon below. Decompose each polygon into basic shapes, such as rectangles and triangles. Find the total area by adding up the areas of the smaller shapes.

5.



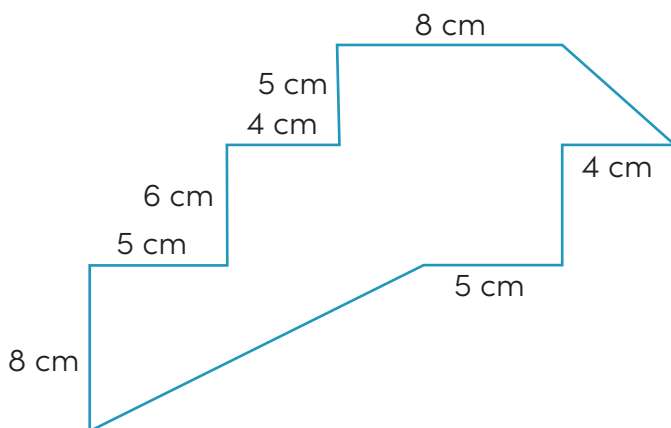
total area = \_\_\_\_\_

6.



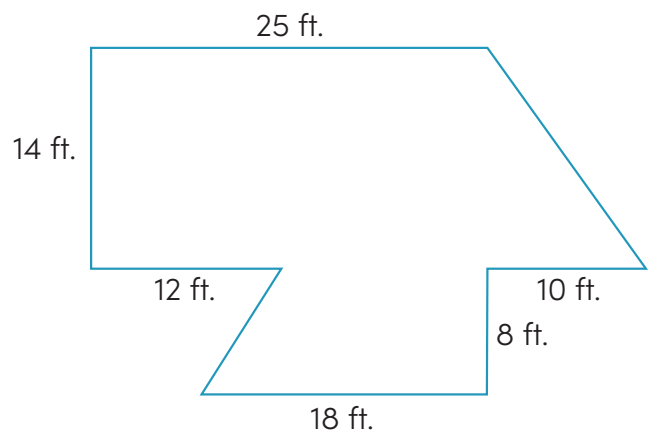
total area = \_\_\_\_\_

7.



total area = \_\_\_\_\_

8.



total area = \_\_\_\_\_