



The Solar System

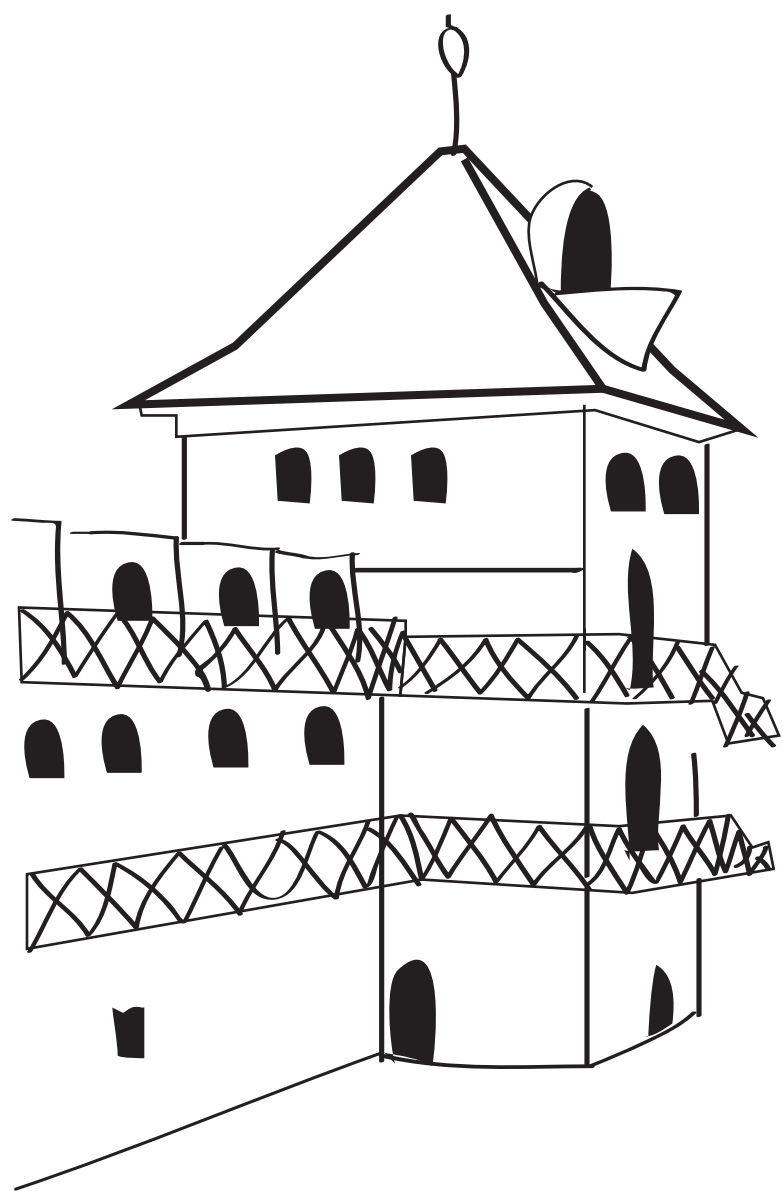
Copernicus

Nicholaus Copernicus was born in Poland and lived from 1473 to 1543. He spent most of his life in Italy, where he observed the sky, stars and planets.

Did you know that at that time it was common to think that the planets and sun circled the Earth? He suspected that Earth and the planets actually circled the sun.

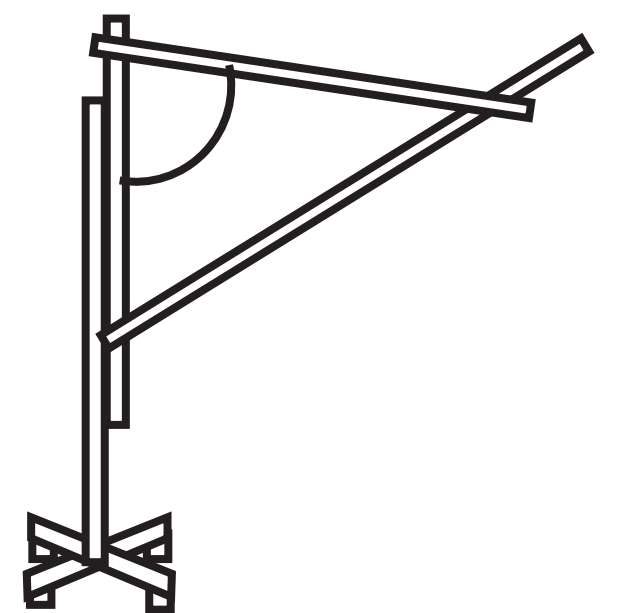
One of his important discoveries was that each planet rotates on its own axis, and the planets travel on an elliptical path around the sun, making the sun the center of our solar system!

He didn't reveal his ideas to everyone until near the end of his life, when he published a book called "On the Revolutions of Celestial Spheres."



He used a tool called a parallactic instrument to measure the distance of planets. It located the stars or planets in relation to Earth by the angle of yard sticks.

He stood at the top of a tower to watch the movements of Mars and other planets.



Planet Scramble

Unscramble the planet names.

SANRUU SNUEV ARTHE PTENUEN URTASN

Answers: Uranus,
Venus, Earth,
Neptune, Saturn

