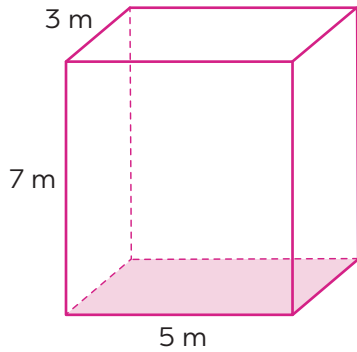


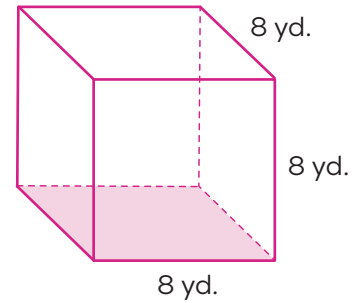
Name \_\_\_\_\_ Date \_\_\_\_\_

# Calculating Surface Area #2

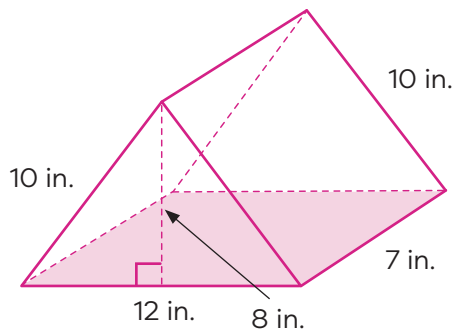
Find the surface area of each shape.



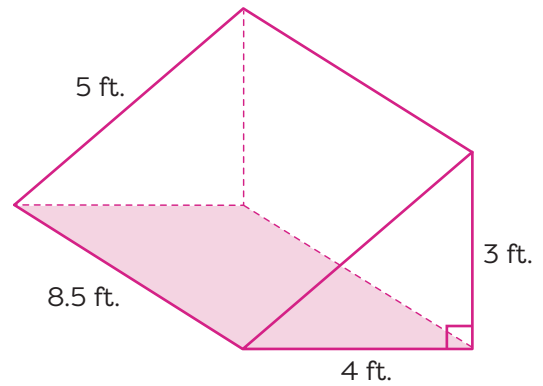
Surface area = \_\_\_\_\_



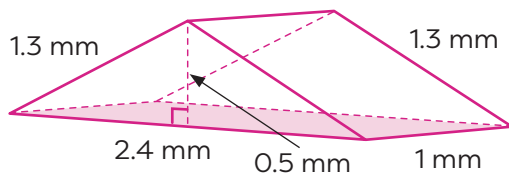
Surface area = \_\_\_\_\_



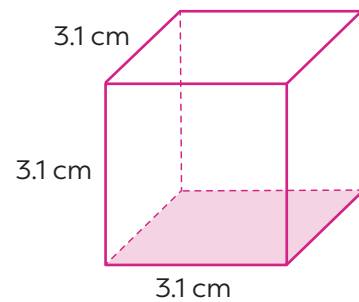
Surface area = \_\_\_\_\_



Surface area = \_\_\_\_\_



Surface area = \_\_\_\_\_



Surface area = \_\_\_\_\_