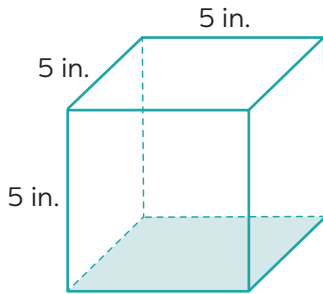


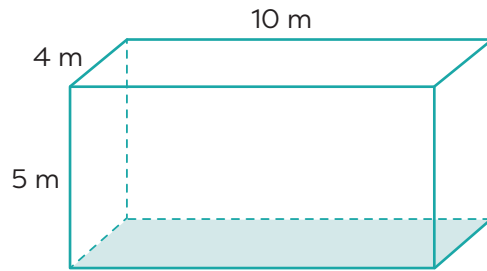
Name _____ Date _____

Calculating Surface Area #1

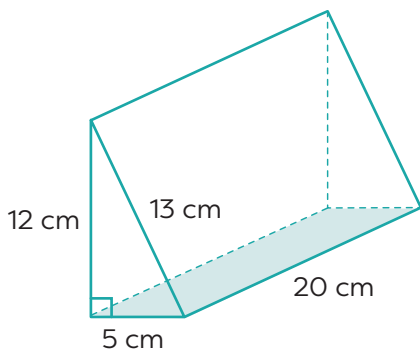
Find the surface area of each shape.



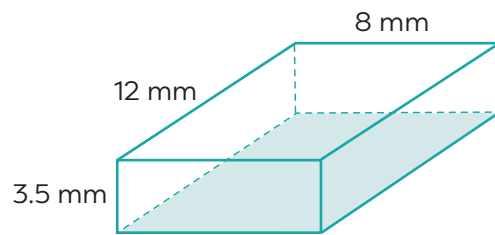
Surface area = _____



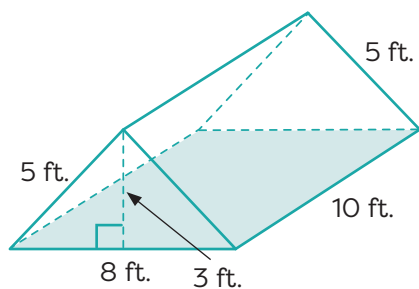
Surface area = _____



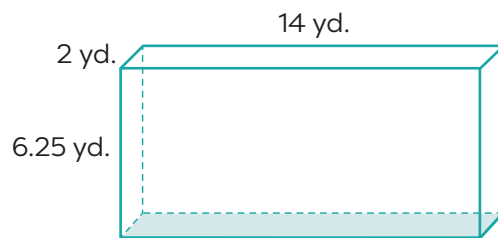
Surface area = _____



Surface area = _____



Surface area = _____



Surface area = _____