

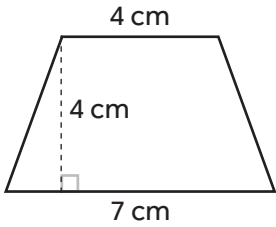
Name _____

Date _____

AREA OF TRAPEZOIDS PRACTICE

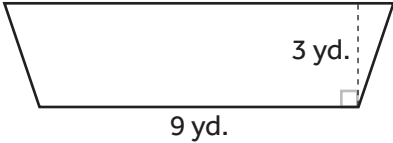
Find the area of each trapezoid.

1.



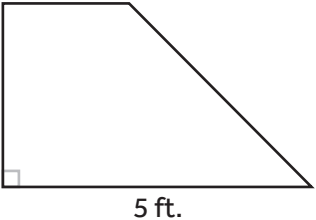
A = _____

2.



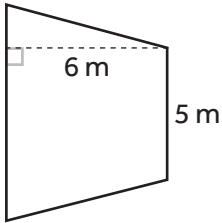
A = _____

3.



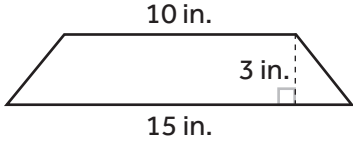
A = _____

4.



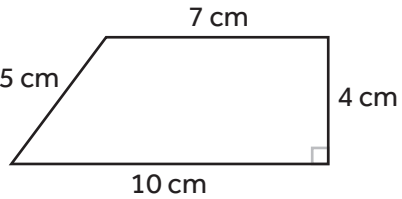
A = _____

5.



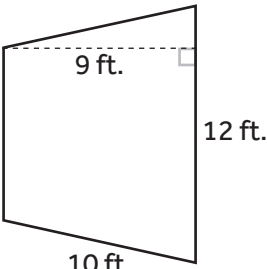
A = _____

6.



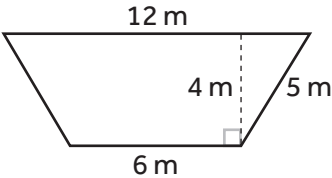
A = _____

7.



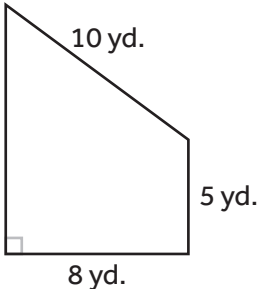
A = _____

8.



A = _____

9.



A = _____