

Area of Compound Figures

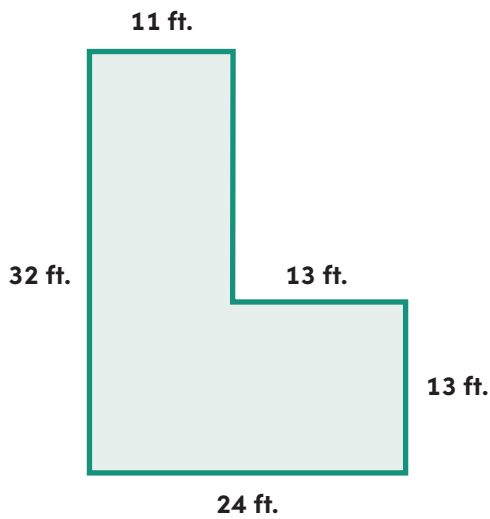
To find the area of a compound figure, you can follow these steps:

1. Break the compound figure into basic shapes, such as rectangles and triangles.
2. Find the area of each basic shape.
3. Add the areas together.

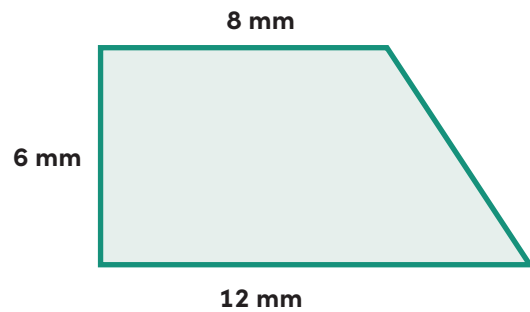


Find the area of each figure.

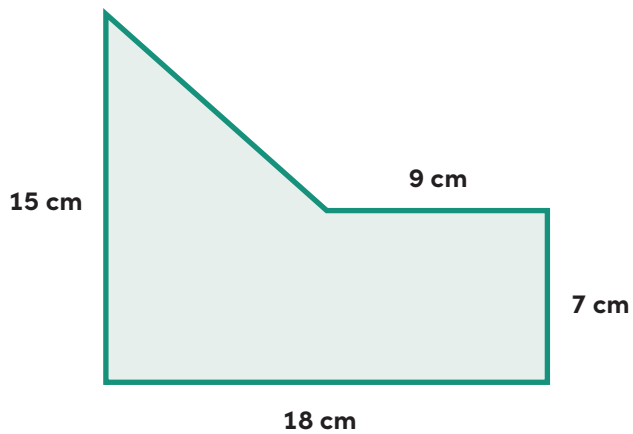
1.



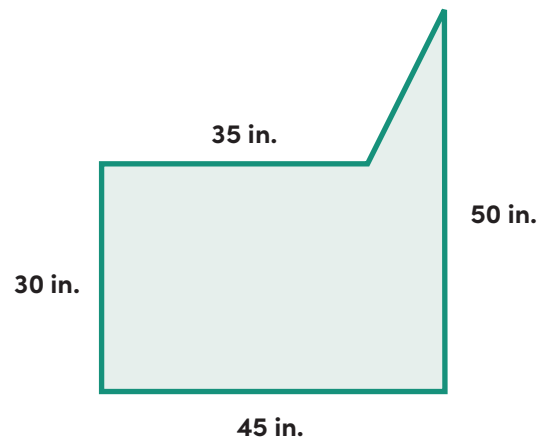
2.



3.



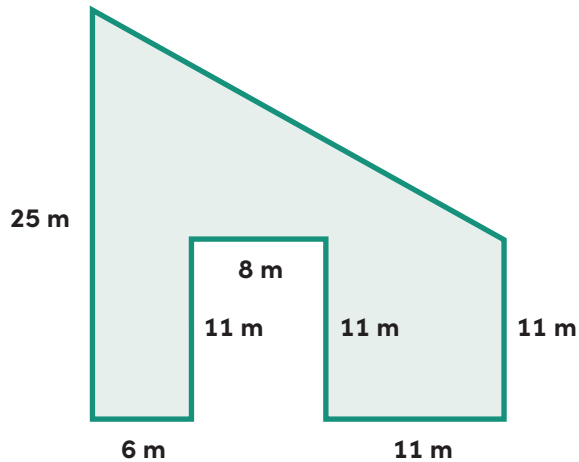
4.



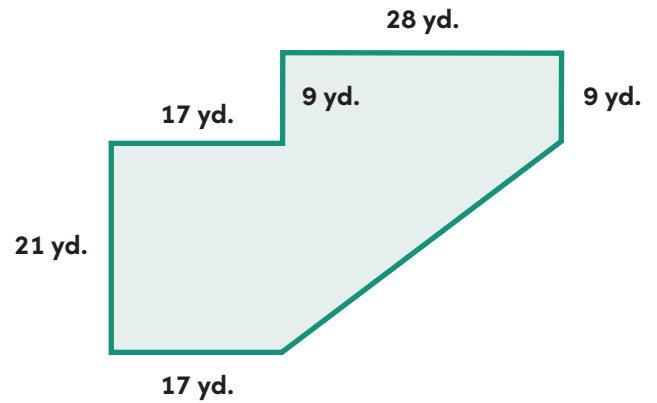
Area of Compound Figures

Keep going! Find the area of each figure.

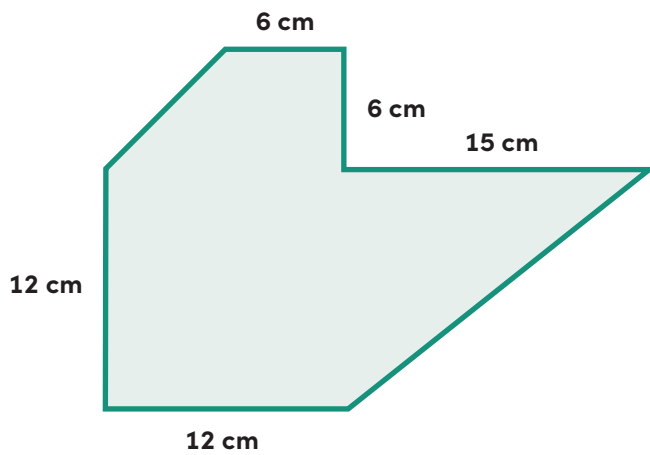
5.



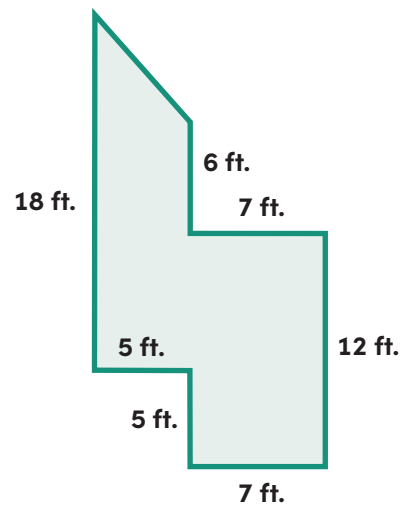
6.



7.



8.



Think about it! Go back to problem 5 at the top of this page. Try enclosing the compound figure in a larger rectangle and subtracting the areas of the missing pieces. Do you get the same answer as before? Explain why you think that happens.
