

Parts of a Plane: Identify and Label

Trace the words to label the different parts of the plane. When you're finished, give your plane a little color.

wing

elevator

rudder

flap

spoiler

cockpit

slats

turbine engine

Parts of a Plane



The parts of the plane all work in different ways. Check out these parts that help the plane take off, fly, and land. Read aloud to your child to explain important parts of the plane, and sound out any of the words that are new or difficult for him.

cockpit- place at the front of the plane where the pilot sits and controls how the plane flies



wings- produce lift so the plane can get up into the sky

rudder- helps control movement of the plane to the right and left, or yaw, and keeps the plane stable and under control



elevator- helps control the up and down movement of the plane, or pitch, and keeps the plane stable

slat- moving piece on the front part of the wing that helps helps the pilot land the plane

flap- moving piece on the back part of the wing that helps the plane take off by increasing lift

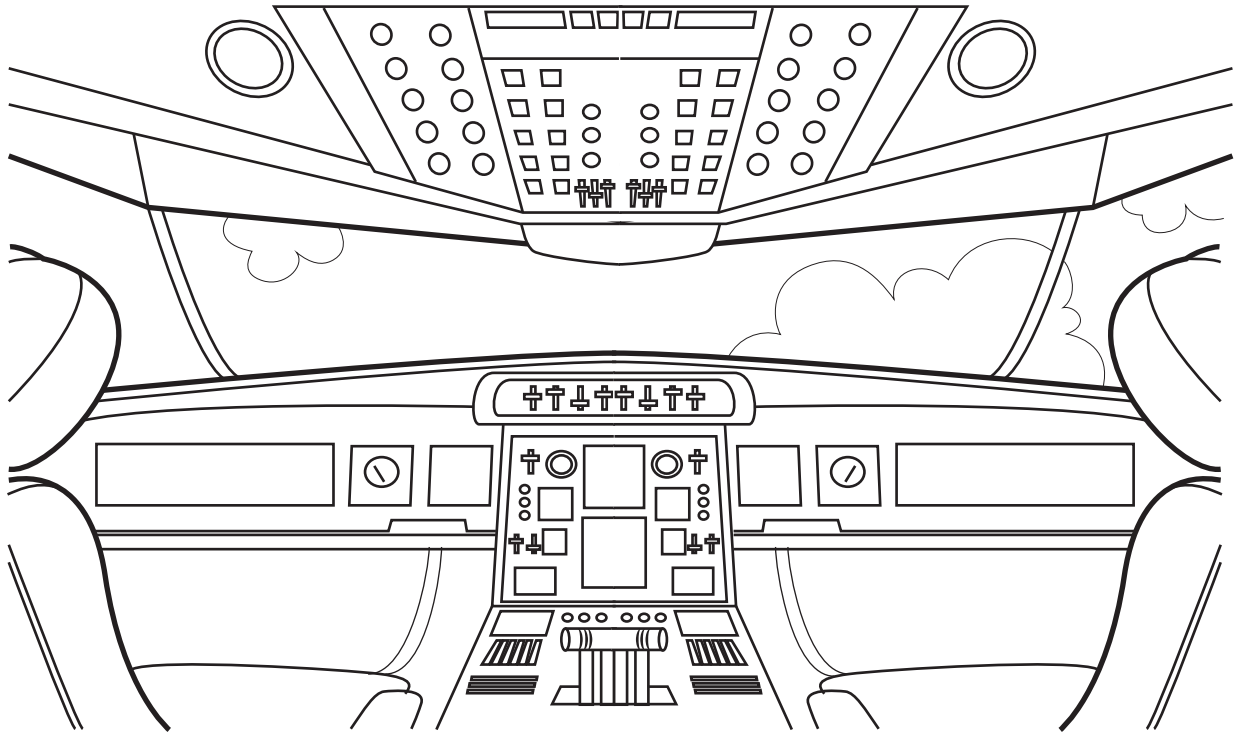
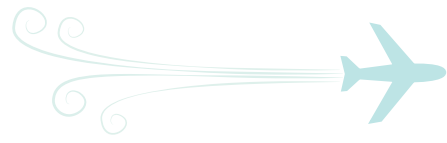


spoiler- helps the plane descend so the pilot can land the plane

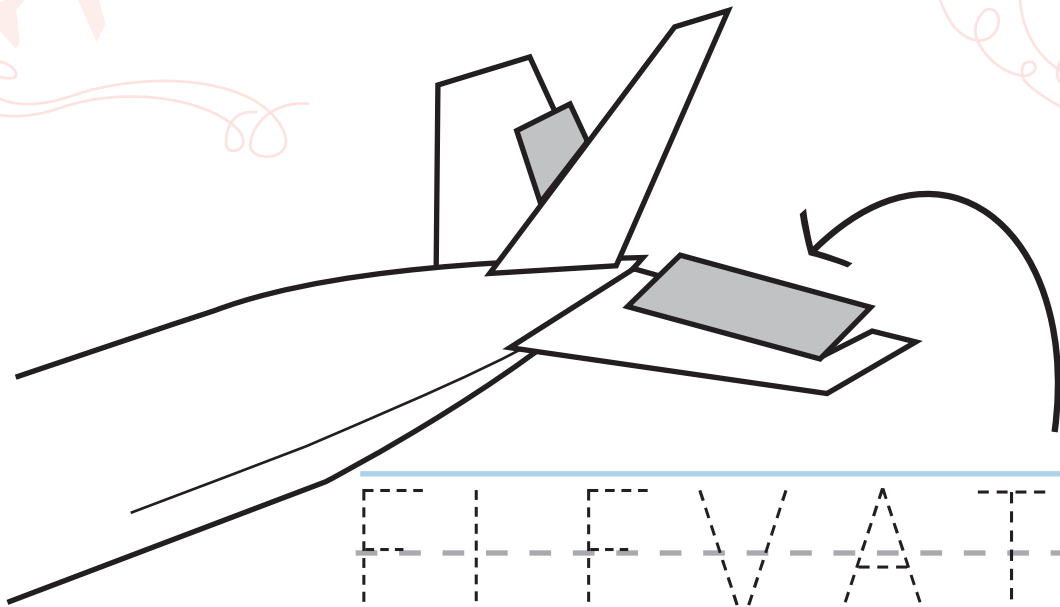
turbine engines- generate thrust to push the plane through the air



Parts of a Plane

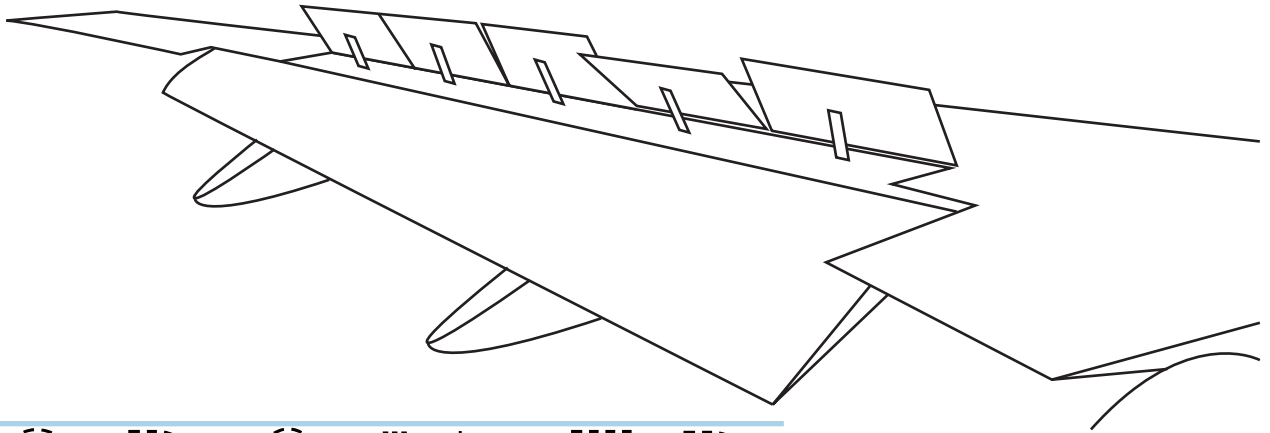
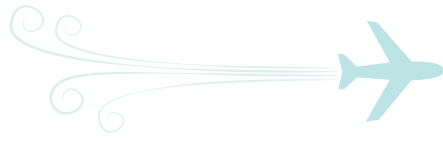


COCKPIT

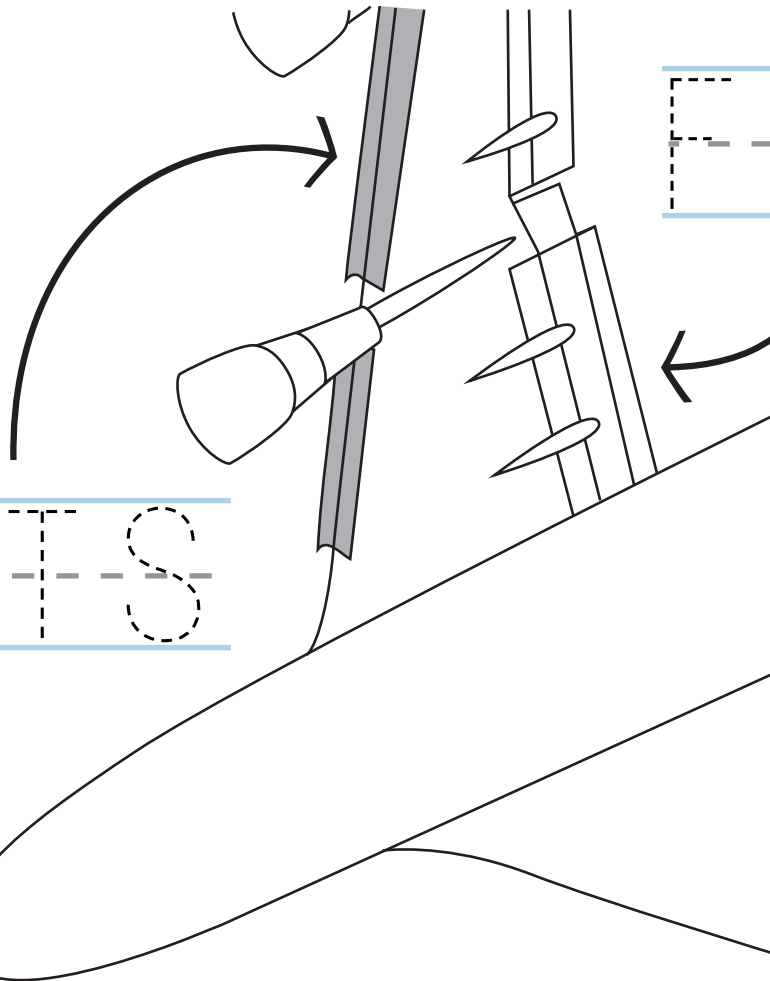


ELEVATOR

Parts of a Plane



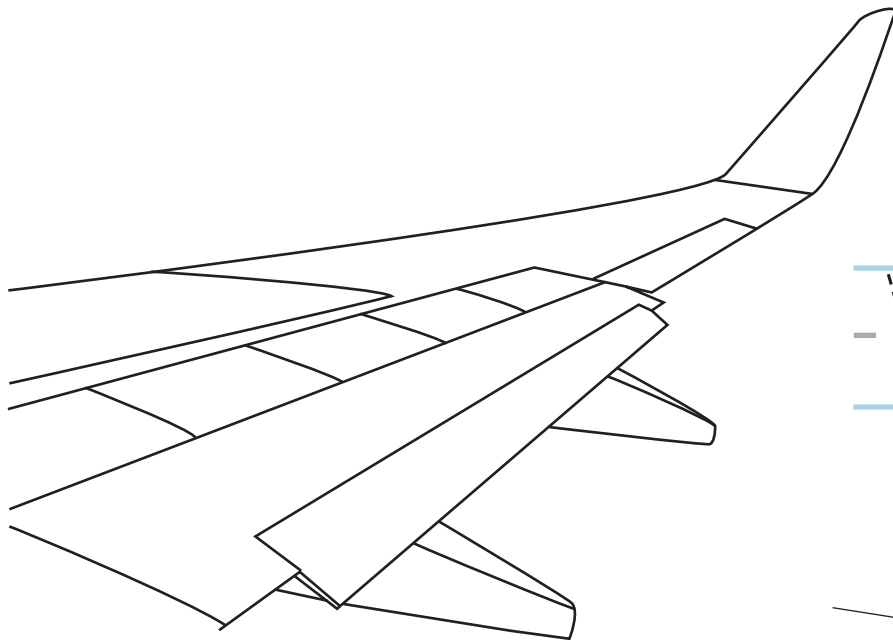
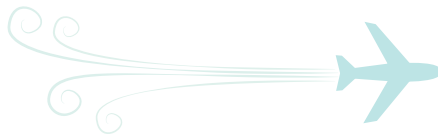
SPOILER



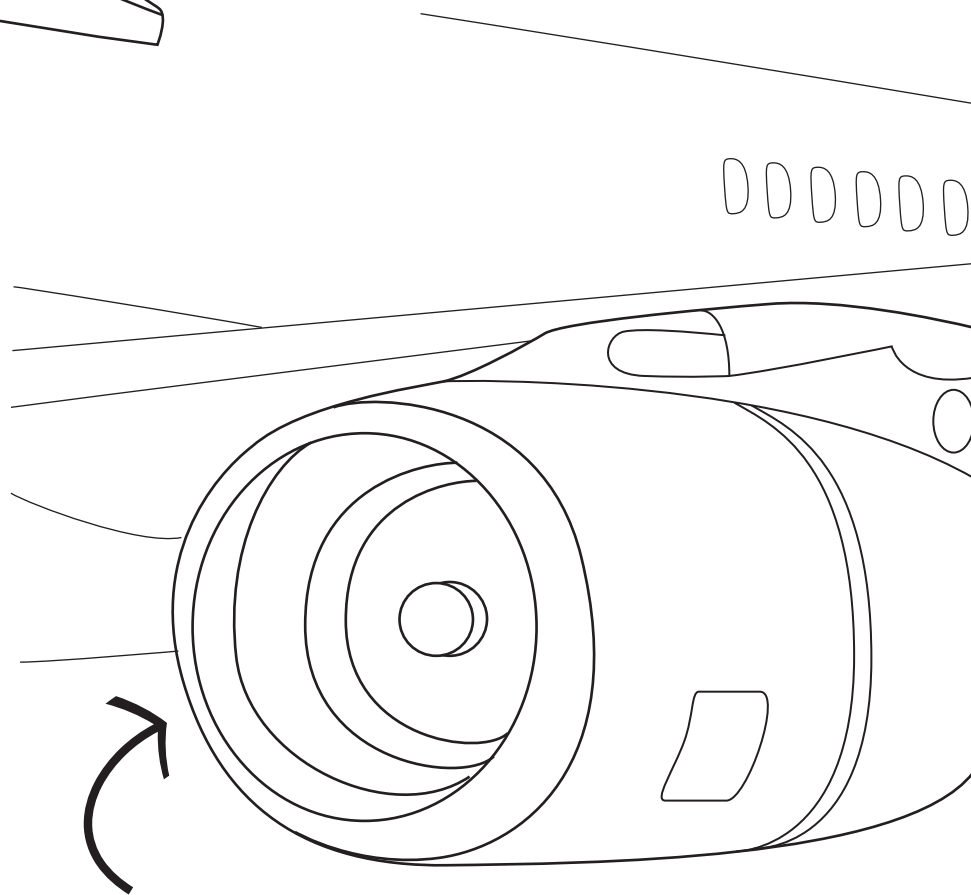
FLAP

SLATS

Parts of a Plane



WING



TURBINE ENGINE