

Name \_\_\_\_\_

Date \_\_\_\_\_

# Adding Up!

**Directions:** Cut out the numbers at the bottom and glue them in each square to complete the math problem.

$12 + 1 =$

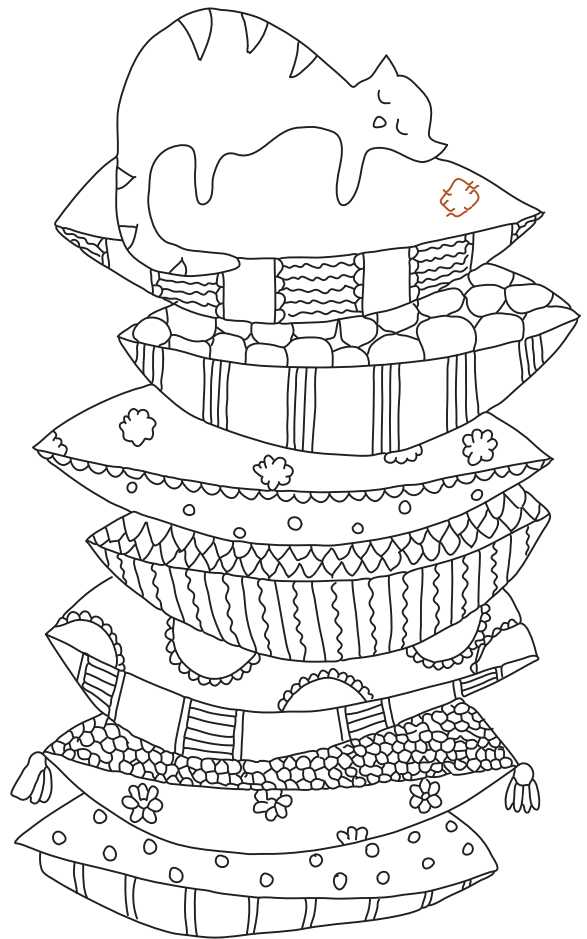
$11 + 1 =$

$10 + 1 =$

$13 + 1 =$

$14 + 1 =$

$15 + 1 =$



15      13      12      11      16      14