

Name: \_\_\_\_\_

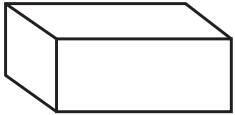

Date: \_\_\_\_\_

# 3-D Shapes in the World

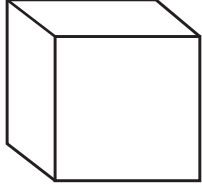



Cut out the pictures and glue them next to the matching shape.

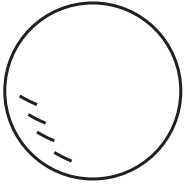

Rectangular Prism

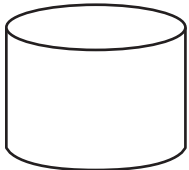

Cube



Sphere

Cylinder

Triangular Pyramid

Cone

