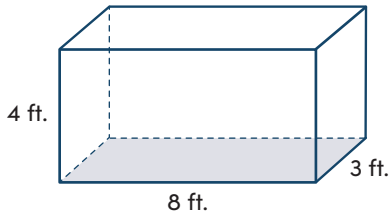


Surface Area Practice: Prisms and Pyramids

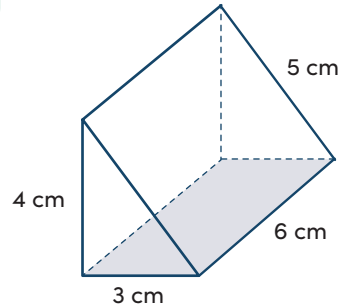
Find the surface area of each figure.

1.



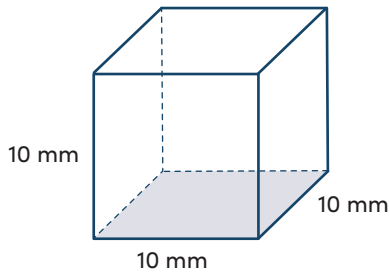
surface area
136 ft.²

2.



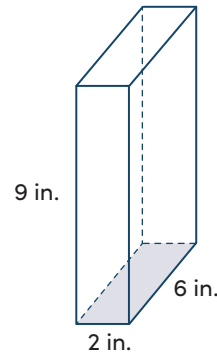
surface area
84 cm²

3.



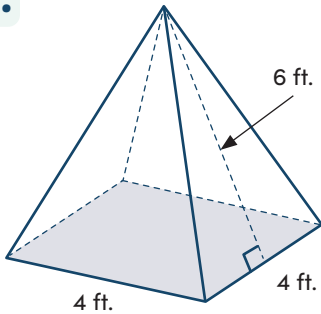
surface area
600 mm²

4.



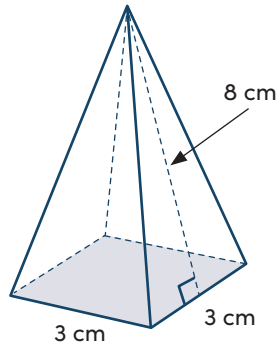
surface area
168 in.²

5.



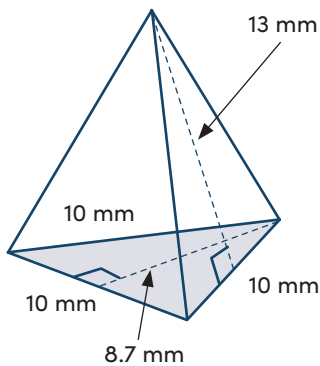
surface area
64 ft.²

6.



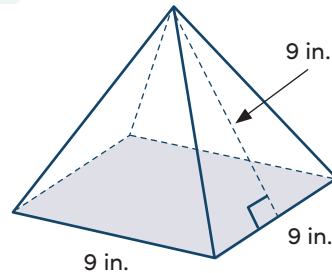
surface area
57 cm²

7.



surface area
238.5 mm²

8.

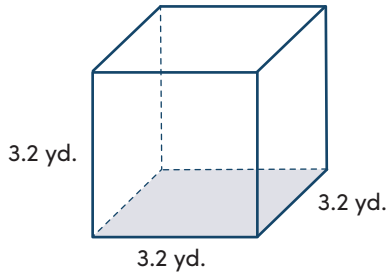


surface area
243 in.²

Surface Area Practice: Prisms and Pyramids

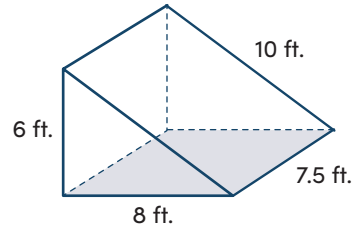
Keep going! Find the surface area of each figure.

9.



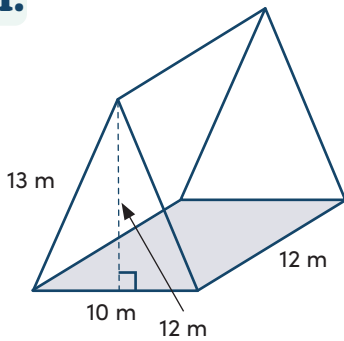
surface area
61.44 yd.²

10.



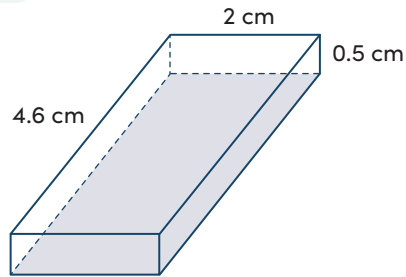
surface area
228 ft.²

11.



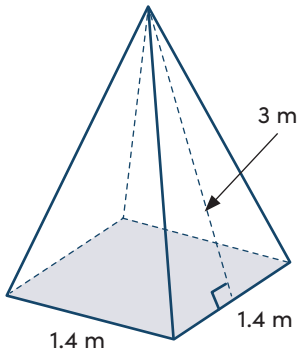
surface area
552 m²

12.



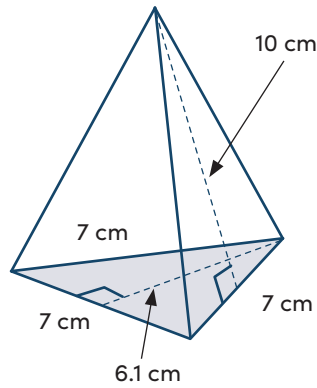
surface area
25 cm²

13.



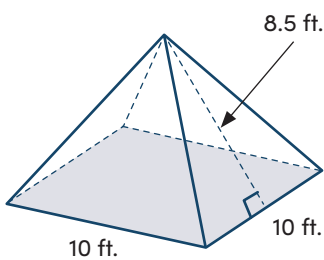
surface area
10.36 m²

14.



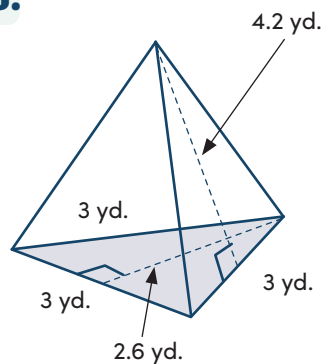
surface area
126.35 cm²

15.



surface area
270 ft.²

16.



surface area
22.8 yd.²