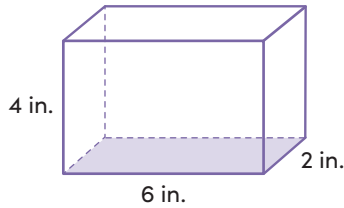


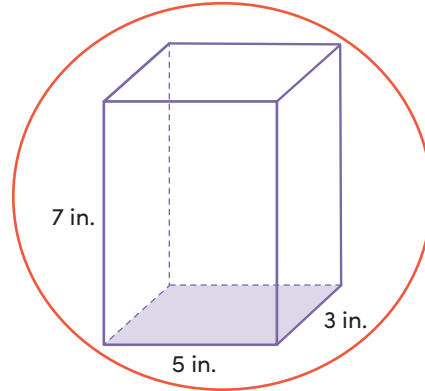
# SURFACE AREA OF PRISMS

To find the **surface area** of a prism, find the area of each face. Then add the areas of all the faces together.

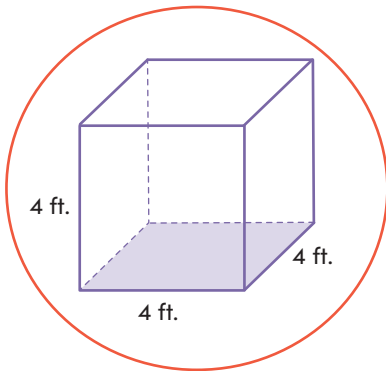
In each row, find the surface area of the two prisms. Then, circle the prism with the larger surface area in that row.



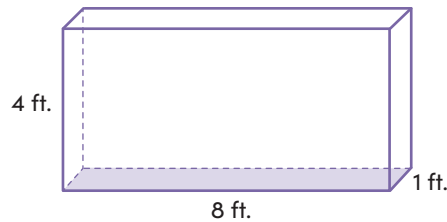
surface area  
**88 in.<sup>2</sup>**



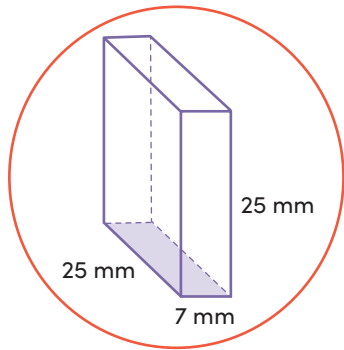
surface area  
**142 in.<sup>2</sup>**



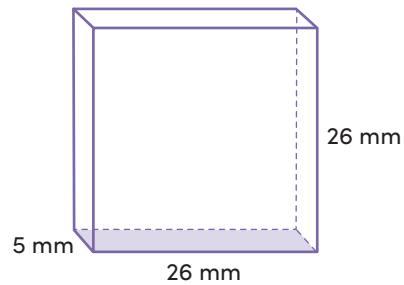
surface area  
**96 ft.<sup>2</sup>**



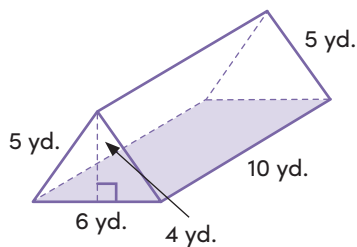
surface area  
**88 ft.<sup>2</sup>**



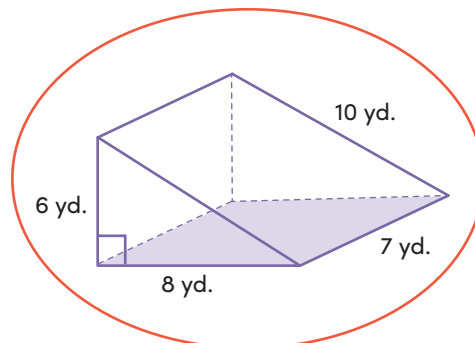
surface area  
**1,950 mm<sup>2</sup>**



surface area  
**1,872 mm<sup>2</sup>**



surface area  
**184 yd.<sup>2</sup>**



surface area  
**216 yd.<sup>2</sup>**