

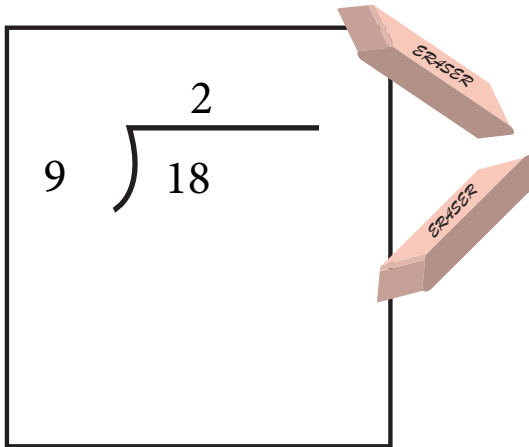
School Shopping

Word Problems Division

Ms. Marie purchased some stationery for school. She knows the price of the total items and wants us to find out the price of each item. Can you help us divide so we can find out the price of each item?

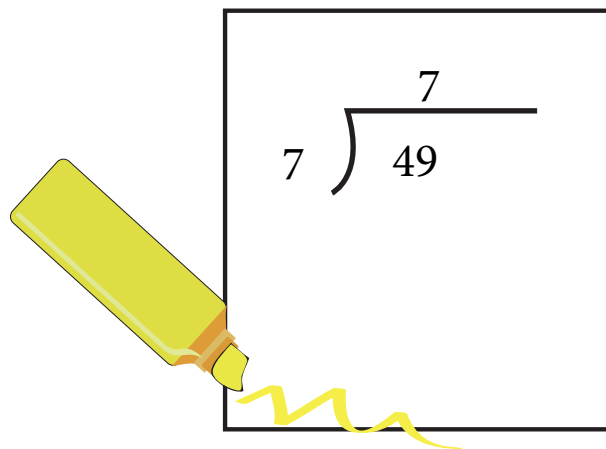
Number of items) Total cost

She bought 9 erasers and paid the shop \$18 for them. What is the cost of 1 eraser?



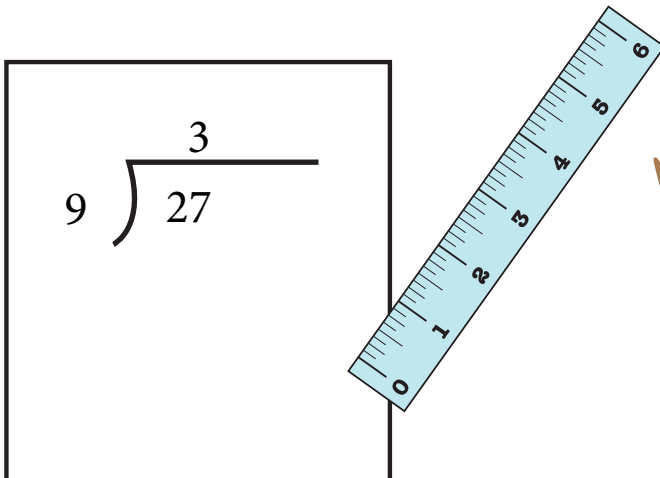
Cost of 1 eraser = 2

Next she bought 7 highlighters for \$49. What is the cost of 1 highlighter?



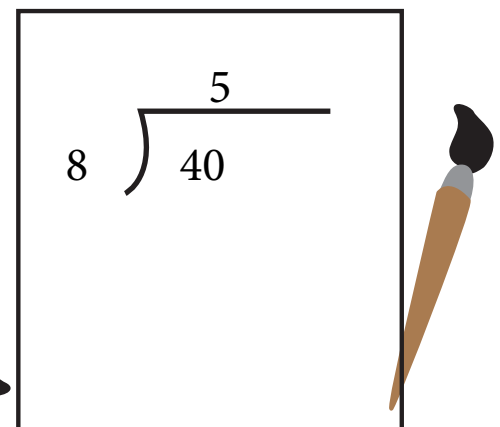
Cost of 1 highlighter = 7

Then she purchased 9 rulers and paid \$27 for them. What is the cost of 1 ruler?



Cost of 1 ruler = 3

Last she bought 8 brushes for \$40. What is the cost of 1 brush?



Cost of 1 brush = 5