


PERIMETER MATCH

Find the **perimeter** of each rectangle, then draw at least 2 rectangles that have the same perimeter.


9 ft



4 ft

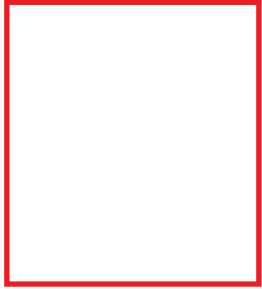
$$4 \text{ ft} + 4 \text{ ft} + 9 \text{ ft} + 9 \text{ ft} =$$

26 ft



7 ft


6 ft



5 ft


8 ft

4 ft




2 ft

12 ft



5 ft

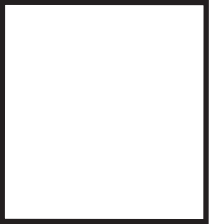
1 ft



3 ft


3 ft

3 ft




6 ft

18 ft



5 ft

4 ft



2 ft

7 ft