

# Measurement & Data Review

## ANSWERS

Convert the metric measurements.

$$7.2 \text{ km} = \underline{7,200} \text{ m}$$

$$175 \text{ mm} = \underline{17.5} \text{ cm}$$

$$9325 \text{ cm} = \underline{93.25} \text{ m}$$

$$35.8 \text{ m} = \underline{35,800} \text{ mm}$$

Convert the liquid measurements.

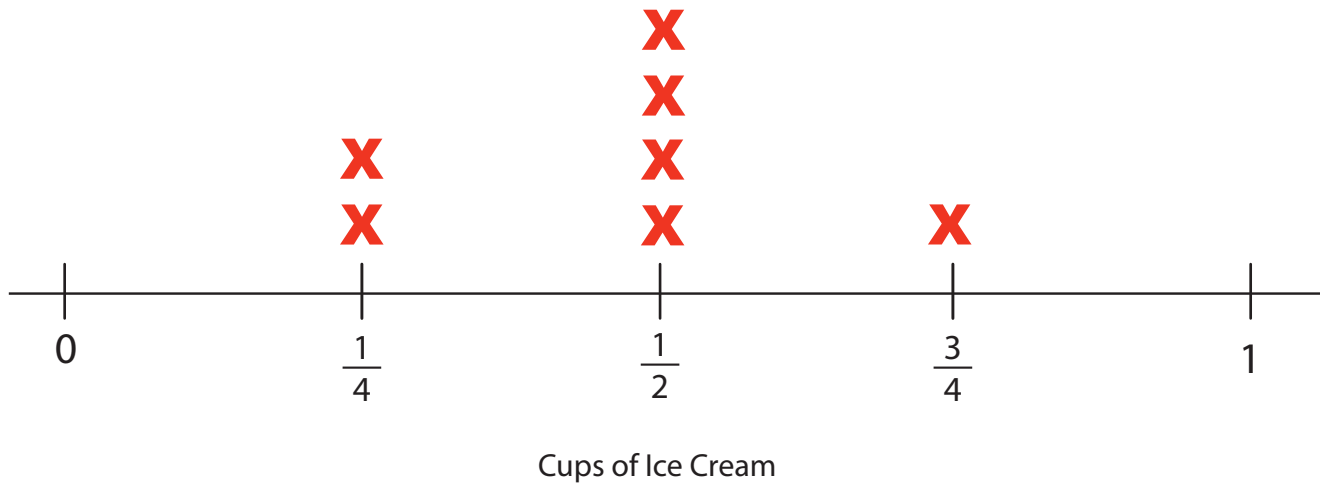
$$18 \text{ cups} = \underline{9} \text{ pints}$$

$$1.5 \text{ gal} = \underline{6} \text{ quarts}$$

$$24 \text{ pints} = \underline{3} \text{ gal}$$

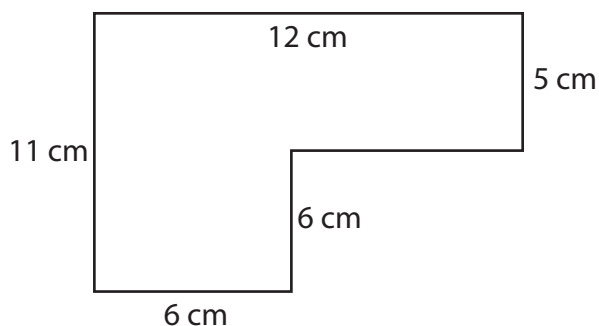
$$21 \text{ quarts} = \underline{84} \text{ cups}$$

Vishal gathered data about the amount of ice cream his friends ate at his birthday party. Two friends ate  $\frac{1}{4}$  cup of ice cream, three friends ate  $\frac{1}{2}$  cup of ice cream, and one other friend ate  $\frac{3}{4}$  cup of ice cream. Vishal had  $\frac{1}{2}$  cup of ice cream. Make a line plot to show how much ice cream was consumed at the party.



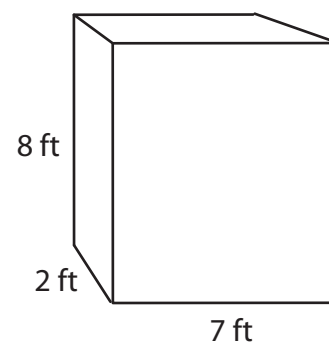
How much ice cream was eaten altogether?  $3 \frac{1}{4}$  cups of ice cream

Find the area.



$$\text{Area} = \underline{96 \text{ cm}^2}$$

Calculate the volume.



$$\text{Volume} = \underline{112 \text{ ft}^3}$$