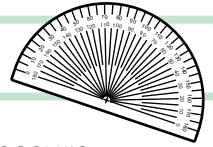
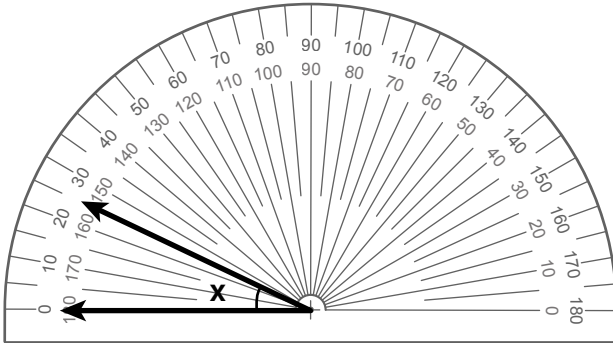
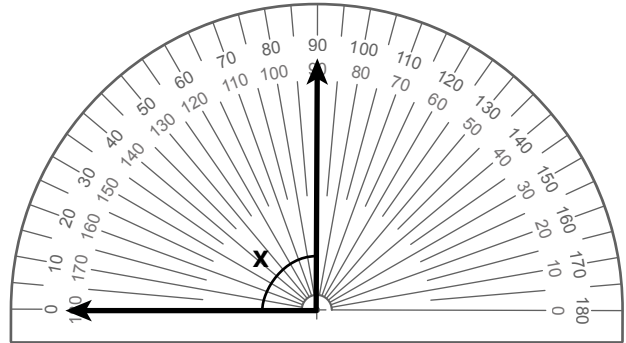


ANSWERS**Measure and Classify Angles**

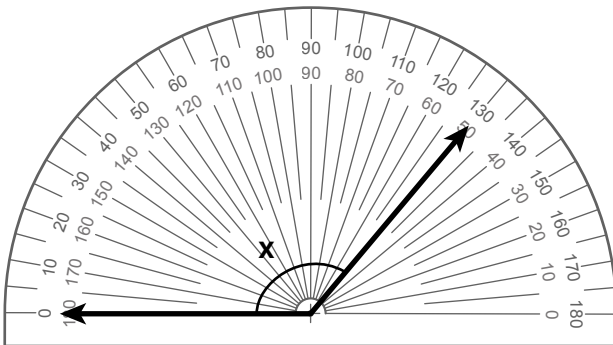
Directions: There are four types of angles: acute, right, obtuse, and straight. Measure the following angles using the protractor provided. Then name the type of angle.



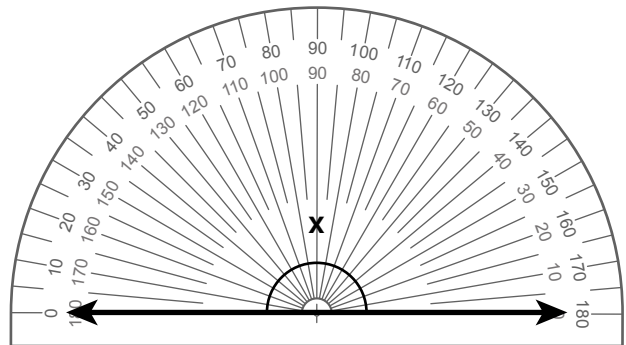
x: **25°** Angle type: **Acute**



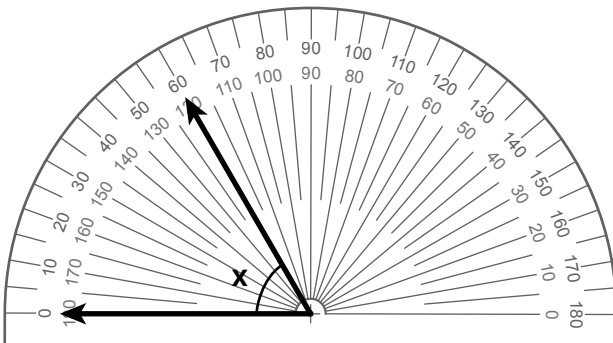
x: **90°** Angle type: **Right**



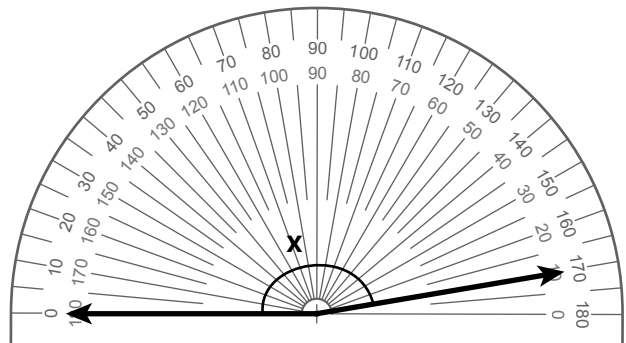
x: **130°** Angle type: **Obtuse**



x: **180°** Angle type: **Straight**



x: **60°** Angle type: **Acute**



x: **170°** Angle type: **Obtuse**