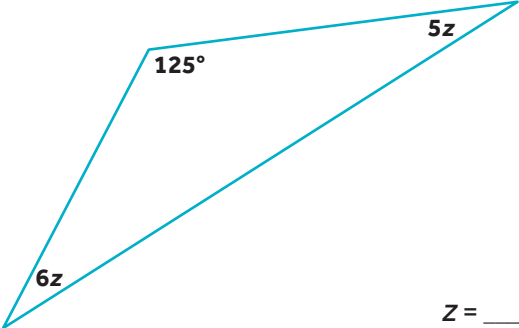
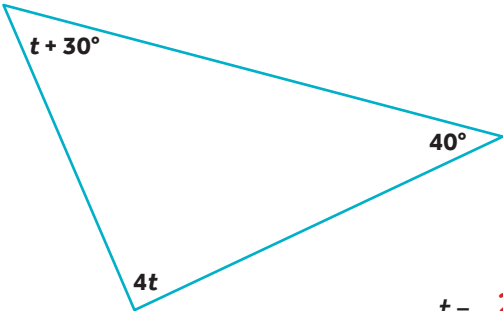
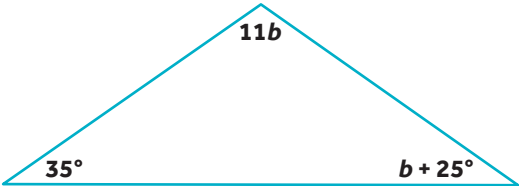


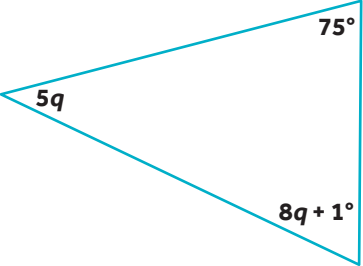
# Interior Angles in Triangles: Solve for the Variable

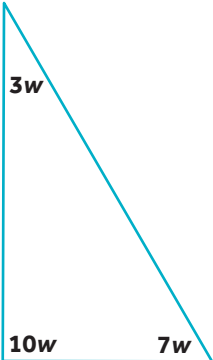
The **Triangle Angle-Sum Theorem** states that the measures of the interior angles of a triangle add up to  $180^\circ$ . Use this theorem to solve for the variables below.

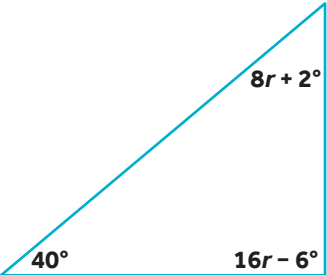
1.   $z = \underline{5^\circ}$

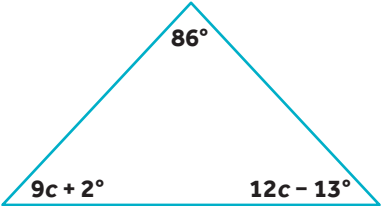
2.   $t = \underline{22^\circ}$

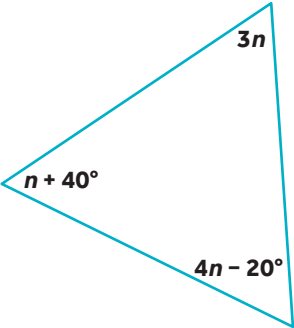
3.   $b = \underline{10^\circ}$

4.   $q = \underline{8^\circ}$

5.   $w = \underline{9^\circ}$

6.   $r = \underline{6^\circ}$

7.   $c = \underline{5^\circ}$

8.   $n = \underline{20^\circ}$