

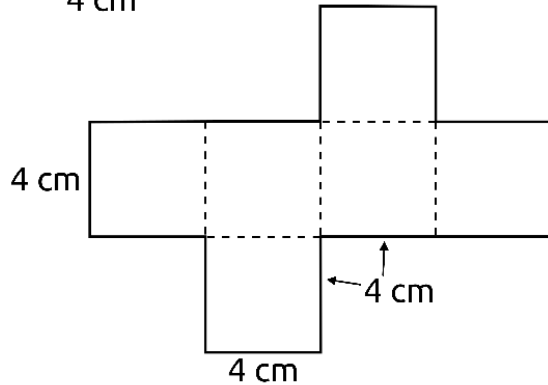
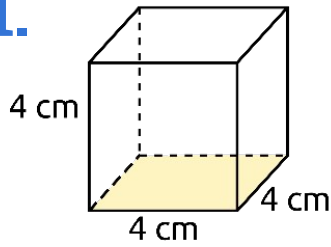
Name \_\_\_\_\_

Date \_\_\_\_\_

# Finding Surface Area Using Nets #1

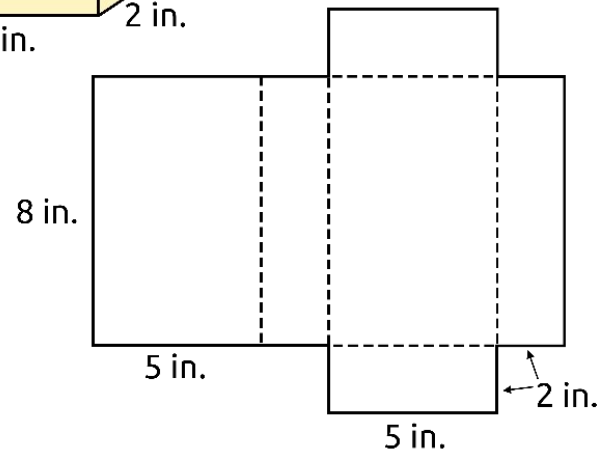
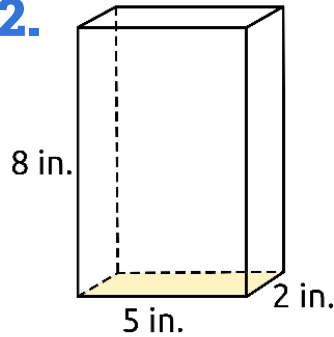
Use the net to find the surface area of each three-dimensional shape.

1.



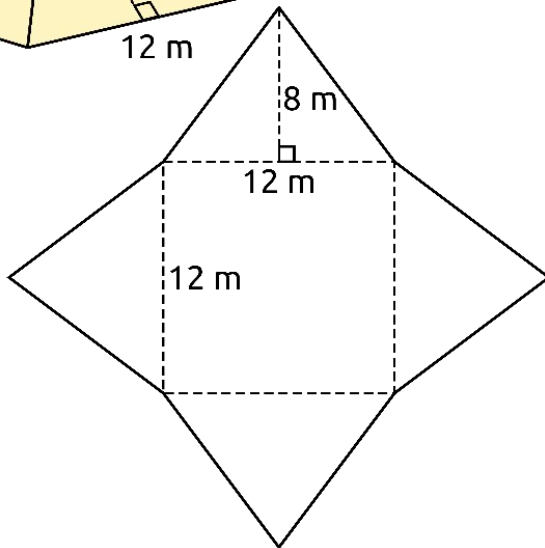
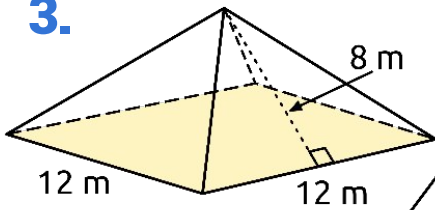
surface area = 96 cm<sup>2</sup>

2.



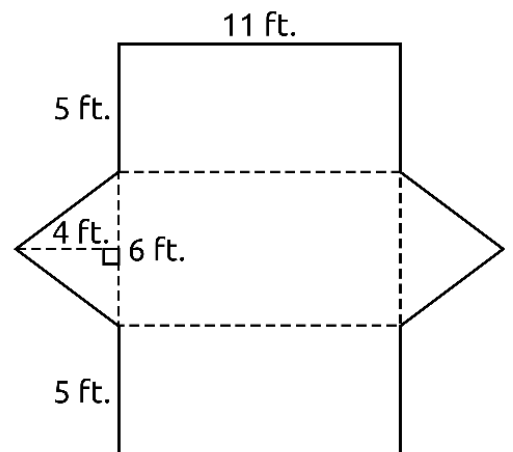
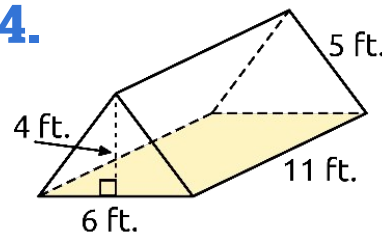
surface area = 132 in.<sup>2</sup>

3.



surface area = 336 m<sup>2</sup>

4.



surface area = 200 ft.<sup>2</sup>