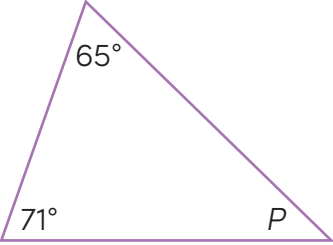


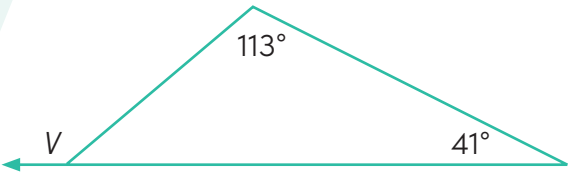
Finding Missing Interior and Exterior Angles of Triangles #1

Find the measure of each angle represented by the variable. Make sure to include the degree symbol in your answer.

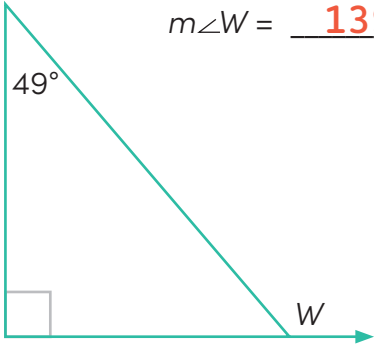
1. $m\angle P = \underline{44^\circ}$



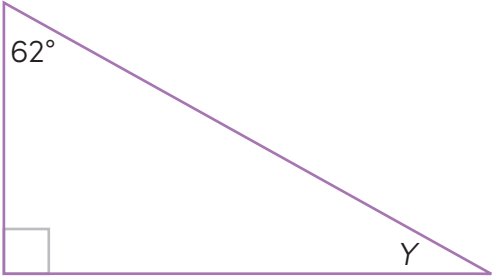
2. $m\angle V = \underline{154^\circ}$



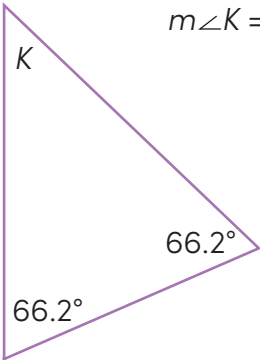
3. $m\angle W = \underline{139^\circ}$



4. $m\angle Y = \underline{28^\circ}$



5. $m\angle K = \underline{47.6^\circ}$



6. $m\angle G = \underline{99.7^\circ}$

