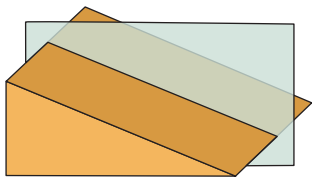
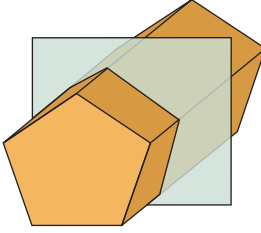
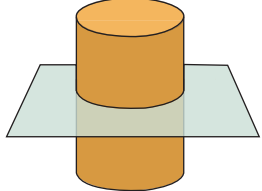

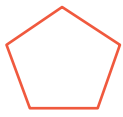

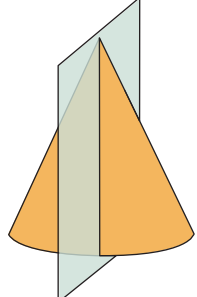
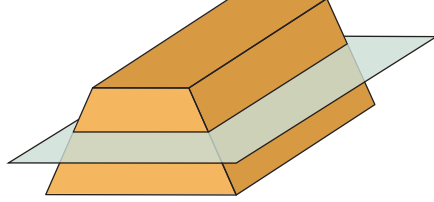
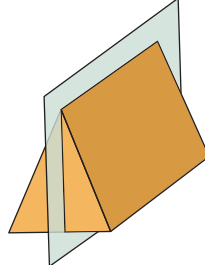





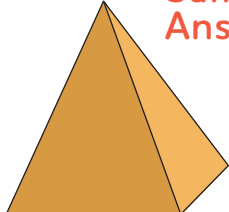
Cross Sections of Three-Dimensional Figures

Use the space below each problem to draw the shape of the cross section.

You can assume planes are perpendicular or parallel if they appear to be.

Challenge! Draw the shapes of *two* different cross sections that could be created by a vertical or horizontal plane that intersects this three-dimensional figure.

 <p>Sample Answers</p>	<p>Cross Section 1:</p>	<p>Cross Section 2:</p>
	