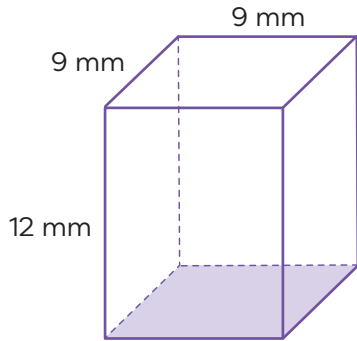
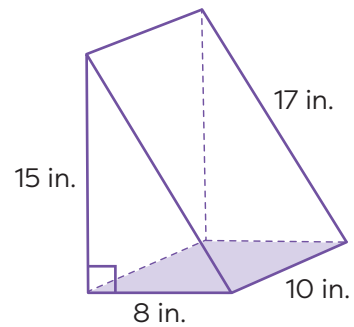


Calculating Surface Area #5

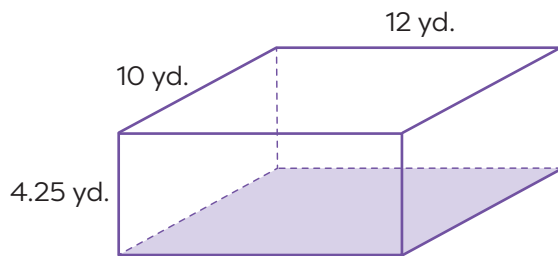
Find the surface area of each shape.



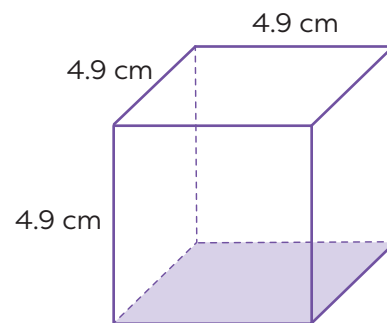
Surface area = 594 mm²



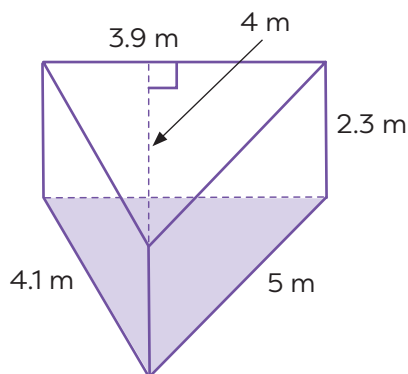
Surface area = 520 in.²



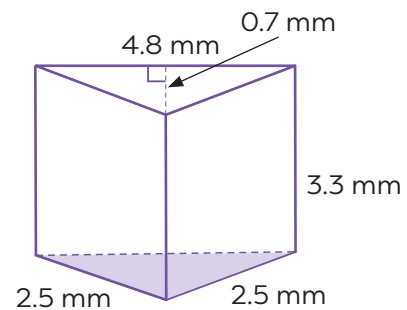
Surface area = 427 yd.²



Surface area = 144.06 cm²



Surface area = 45.5 m²



Surface area = 35.7 mm²