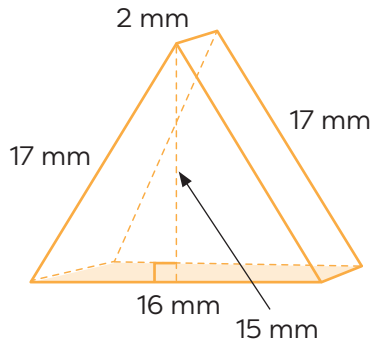
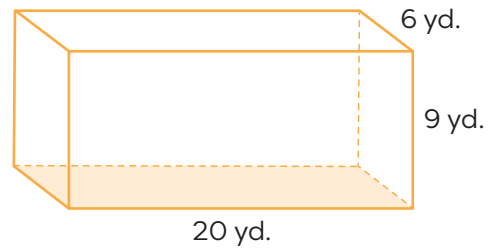


# Calculating Surface Area #4

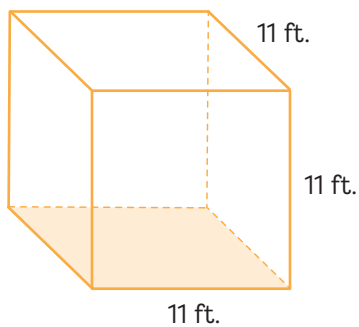
Find the surface area of each shape.



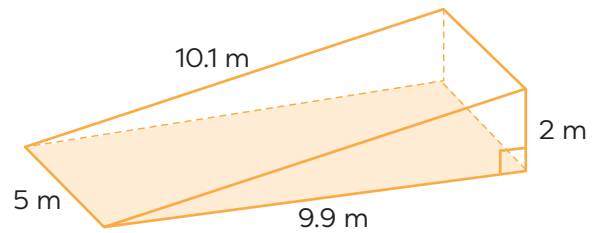
Surface area = 340 mm<sup>2</sup>



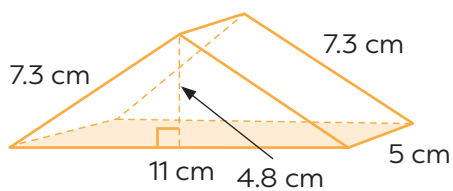
Surface area = 708 yd.<sup>2</sup>



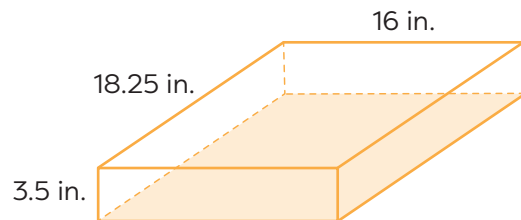
Surface area = 726 ft.<sup>2</sup>



Surface area = 129.8 m<sup>2</sup>



Surface area = 180.8 cm<sup>2</sup>



Surface area = 823.75 in.<sup>2</sup>