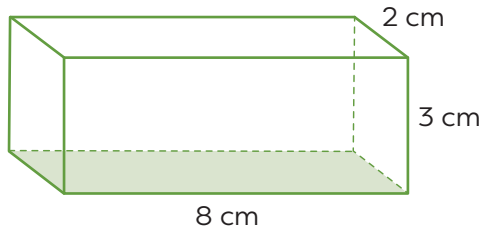
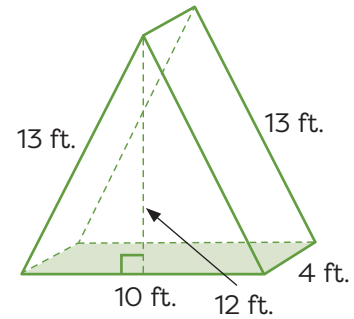


Calculating Surface Area #3

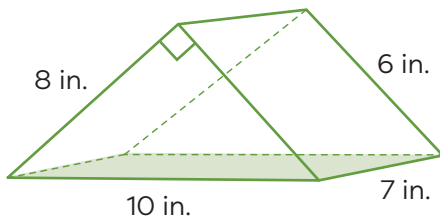
Find the surface area of each shape.



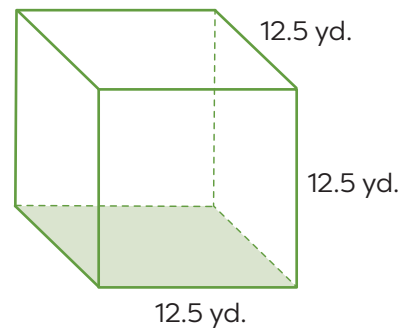
Surface area = 92 cm²



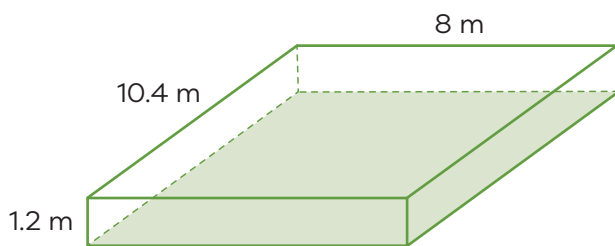
Surface area = 264 ft.²



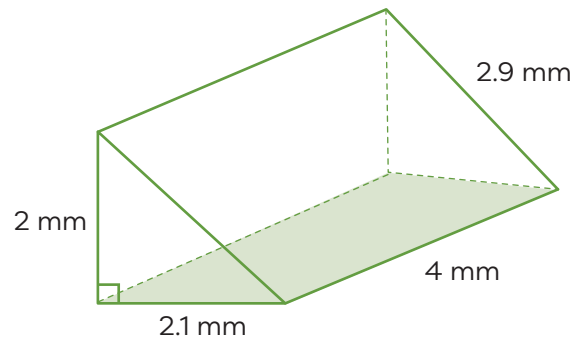
Surface area = 216 in.²



Surface area = 937.5 yd.²



Surface area = 210.56 m²



Surface area = 32.2 mm²