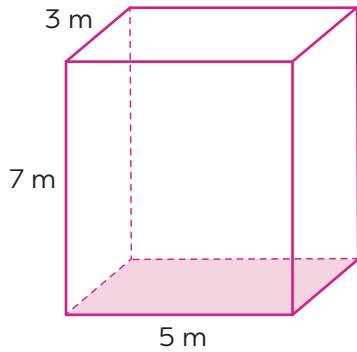
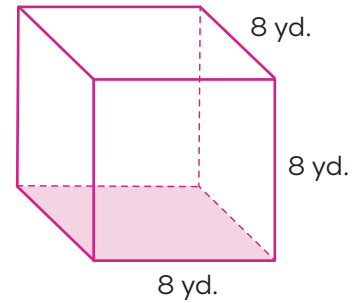


# Calculating Surface Area #2

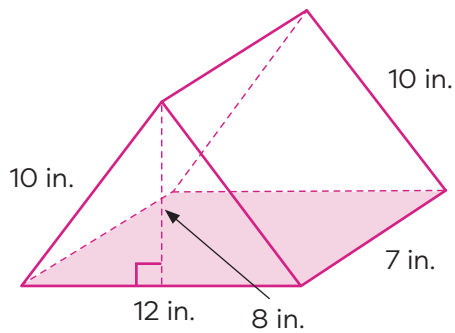
Find the surface area of each shape.



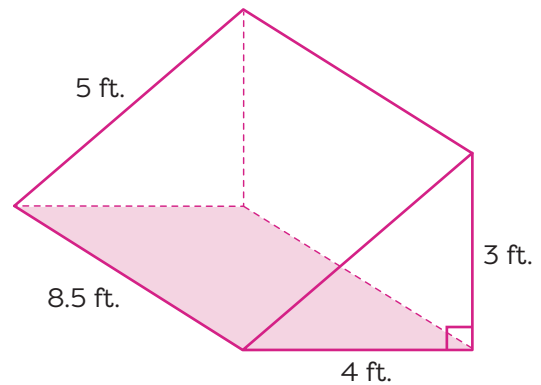
Surface area = 142 m<sup>2</sup>



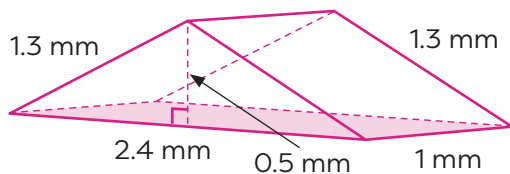
Surface area = 384 yd.<sup>2</sup>



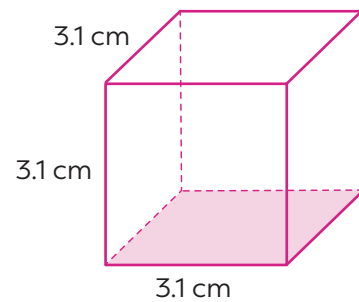
Surface area = 320 in.<sup>2</sup>



Surface area = 114 ft.<sup>2</sup>



Surface area = 6.2 mm<sup>2</sup>



Surface area = 57.66 cm<sup>2</sup>