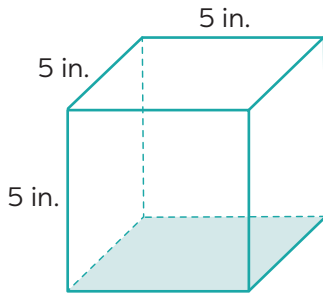
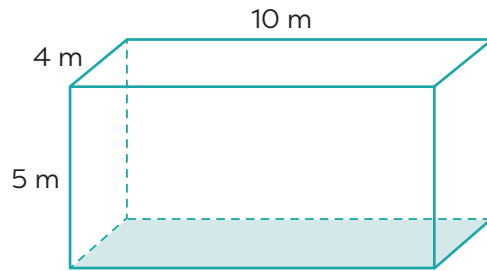


Calculating Surface Area #1

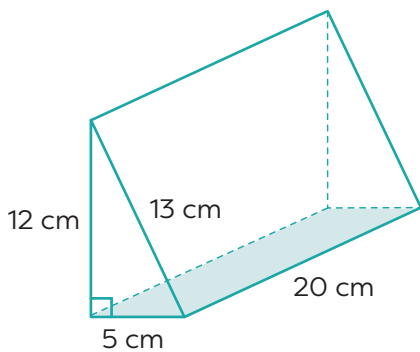
Find the surface area of each shape.



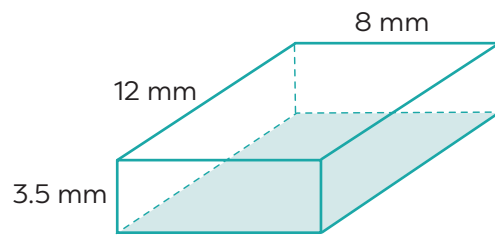
Surface area = 150 in.²



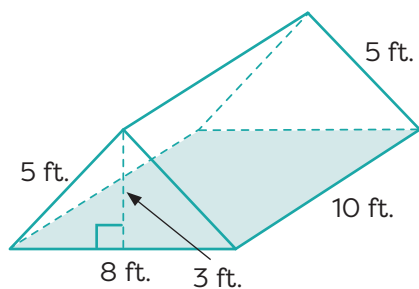
Surface area = 220 m²



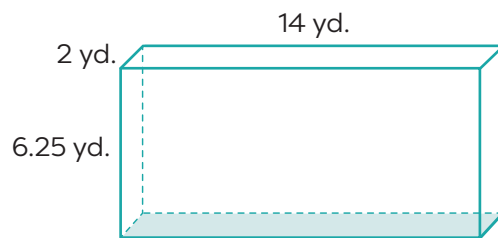
Surface area = 660 cm²



Surface area = 332 mm²



Surface area = 204 ft.²



Surface area = 256 yd.²